

KRC-778R/RV/RV/RVYV, 878R, PS978R

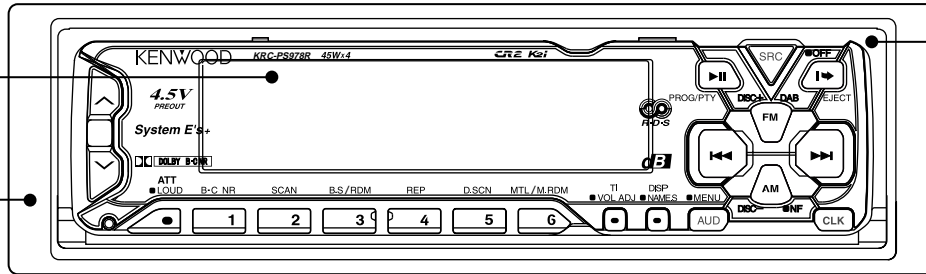
SERVICE MANUAL

The CASSETTE MECHANISM OPERATION DESCRIPTION is the same model D40-1122-05.
Please refer to the service manual for model D40-1122-05(B51-7452-00).

KRC-PS978R

Front glass
(B10-3095-01)

Escutcheon assy
(B07-2146-03)

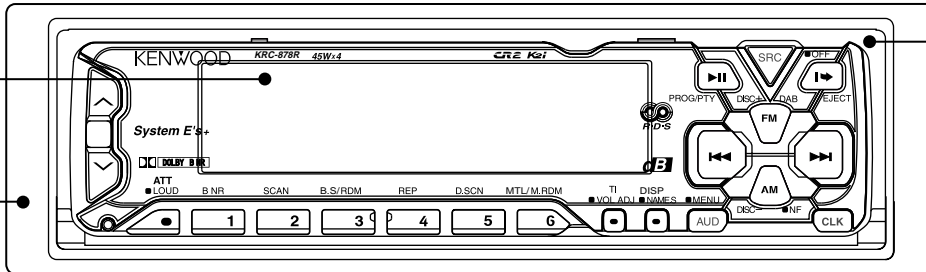


Panel assy
(A64-1854-02)

KRC-878R

Front glass
(B10-3096-01)

Escutcheon assy
(B07-2139-03)

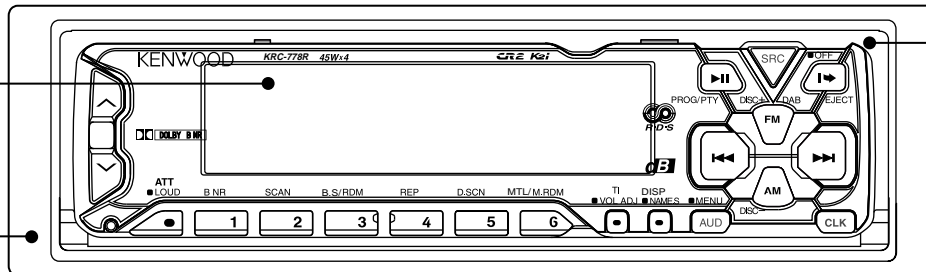


Panel assy
(A64-1855-02)

KRC-778R

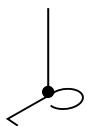
Front glass
KRC-778R/RV :
(B10-3097-01)
KRC-778RV/RVYV :
(B10-3098-01)

Escutcheon assy
(B07-2139-03)

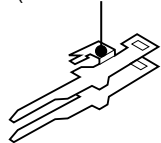


Panel assy
KRC-778R/RV :
(A64-1856-02)
KRC-778RV/RVYV :
(A64-1952-02)

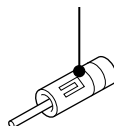
Torsion coil spring
(G01-2924-04)



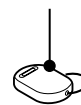
Lever
(D10-4301-14)
(D10-4302-14)



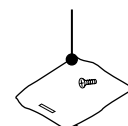
Antenna adaptor
(T90-0523-05)



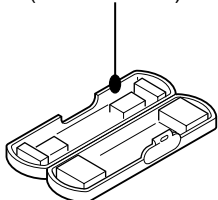
Remote controller assy
(A70-0886-15)



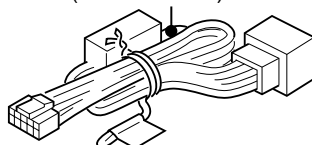
Screw set
(N99-1683-05)



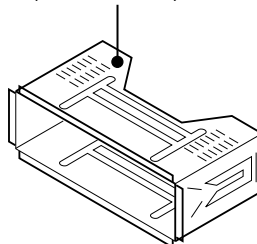
Plastic cabinet assy
(A02-1489-03)



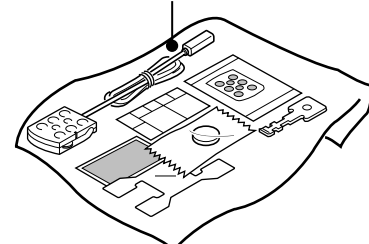
DC cord
KRC-PS978R,878R,778R/RV :
(E30-4788-05)
KRC-778RV/RVYV :
(E30-4789-05)



Mounting hardware assy
(J21-9491-03)

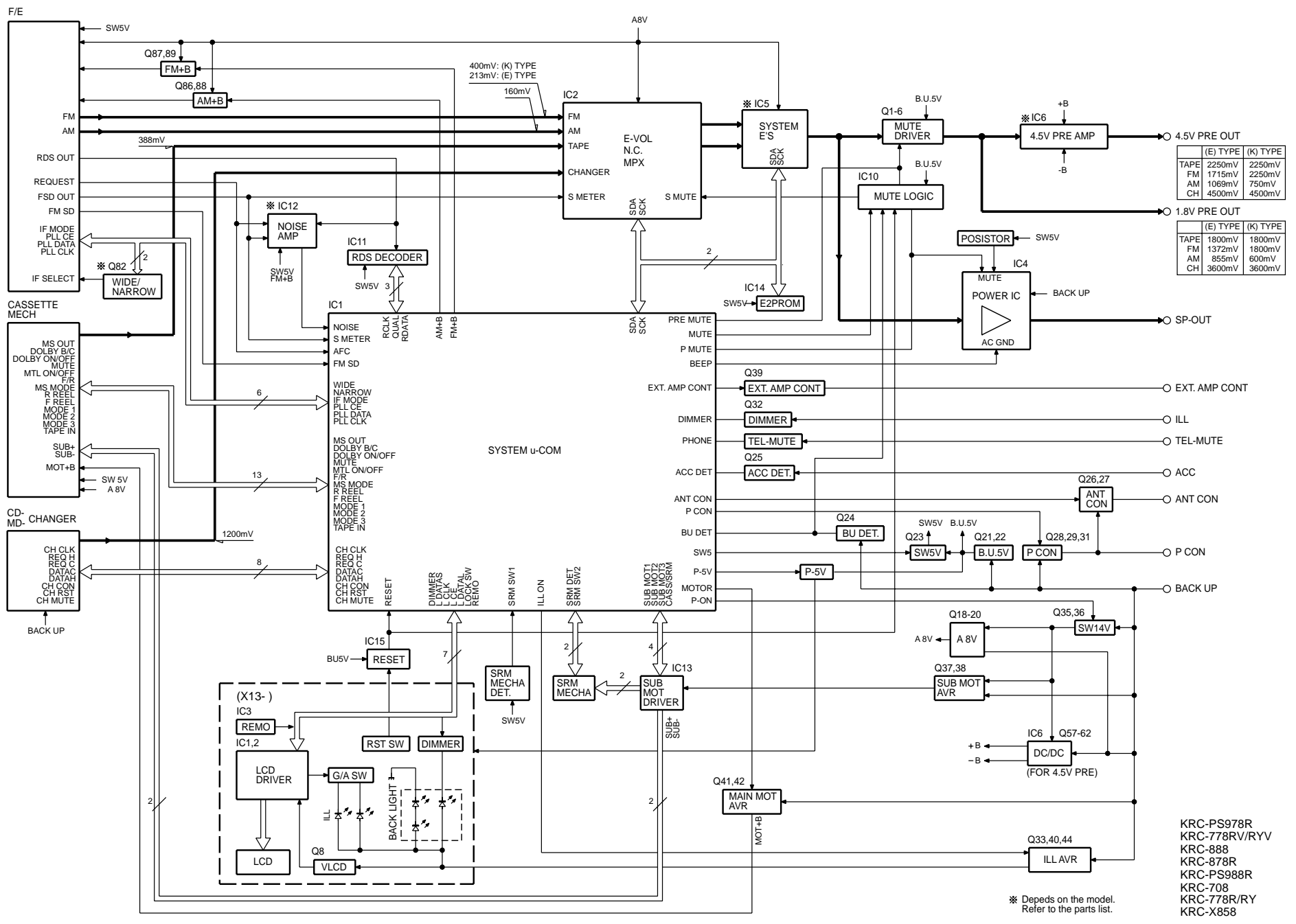


Remote controller assy
(A70-0874-05)



KRC-778R/RV/RV/RV/RV, 878R, PS978R

BLOCK DIAGRAM



KRC-PS978R
KRC-778RV/RV
KRC-888
KRC-878R
KRC-PS988R
KRC-708
KRC-778R/RV
KRC-X858

MICROCOMPUTER TERMINAL DESCRIPTION

UPD784217GC103(105) (IC1: X14-618X-XX)
System MicroComputer

Pin	Pin Name	Signal Name	I/O	Purpose	Operation Description
1	P120/RTP0	CHCON	O	Changer control terminal.	ON:Hi, OFF:Lo
2	P121/RTP1	CH_MUTE	I	Muting input to changer.	ON:Hi, OFF:Lo
3	P122/RTP2	REQH	O	Handshake request to changer.	
4	P123/RTP3	DIMMER	I	Small detection.	DIMMER ON:Lo, OFF:Hi
5	P124/RTP4	MOTER	O	Cassette mechanism main motor output.	Active; Hi.
6	P125/RTP5	NC	O		
7	P126/RTP6	NC	O		
8	P127/RTP7	NC	O		
9	Vdd	Vdd	-	Positive power supply.	
10	X2	X2	-	Main clock connection.	
11	X1	X1	-	Main clock connection.	
12	Vss	Vss	-	GND terminal.	
13	XT2	XT2	-	Sub-clock connection.	
14	XT1	XT1	-	Sub-clock connection.	
15	RESET	RESET	I	Reset input.	Active: Lo.
16	P00/INTP0	CH_RST	O	Reset output to changer.	Active: Hi.
17	P01/INTP1	R_CLK	I	RDS clock input.	
18	P02/INTP2/NMI	REQC	I	Handshake request from changer.	
19	P03/INTP3	KEY REQ	I		
20	P04/INTP4	SUB_MOTOR3	O	Sub-motor output. 3	
21	P05/INTP5	SUB_MOTOR2	O	Sub-motor output. 2	
22	P06/INTP6	SUB_MOTOR1	O	Sub-motor output. 1	
23	AVdd	Avdd	-	A/D analog power supply.	
24	AVref0	AVref0	-	A/D reference voltage input.	
25	P10/ANI0	PHONE	I	Phone detection.	1 V or less: TEL MUTE /2.5 V or more: NAVI MUTE.
26	P11/ANI1	SRM_SW1	I	SRM position detection.	Open: Hi.
27	P12/ANI2	NOISE	I	FM noise detection.	
28	P13/ANI3	SMETER	I	FM S meter detection.	
29	P14/ANI4	F_REEL	I	Cassette mechanism reel pulse input (FWD).	
30	P15/ANI5	R_REEL	I	Cassette mechanism reel pulse input (REV).	
31	P16/ANI6	N.C.	I		
32	P17/ANI7	N.C.	I		
33	AVss	AVss	-	A/D GND terminal.	
34	P130/ANO0	EXT_AMP	O	External amp control.	L 40mS:Bass boost OFF L 70mS:Bass boost LOW L 100mS:Bass boost Hi
35	P131/ANO1	IF_MODE	I	IF status detection for K2I.	Hi = WIDE, Lo = NARROW
36	AVref1	AVref1	-	D/A reference voltage input.	
37	P70/RxD2/SI2	DATAC	I	Data line from changer.	
38	P71/TxD2/SO2	DATAC	O	Data line to changer.	
39	P72/ASCK2/SCK2	CH_CLK	I/O	Clock line with changer.	
40	P20/RxD1/SI1	L_DATAL	I	Data line from LCD driver.	
41	P21/TxD1/SO1	L_DATAS	O	Data line to LCD driver.	
42	P22/ASCK1/SCK1	L_CLK	O	Clock line to LCD driver.	
43	P23/PCL	DIMMER	O	Dimmer control output.	
44	P24/BUZ	BEEP	O	Beep output.	Active: Hi.
45	P25/SI0	PLL_CE	O	CE to PLL.	
46	P26/SO0	PLL_DATA	I/O	Data input/output with PLL.	
47	P27/SCK0	PLL_CLK	O	Clock output to PLL.	
48	P80/A0	ILL_ON	O	ILL ON	ILL ON : Hi
49	P81/A1	PANEL_5V	O	5V power supply control for LCD driver.	Active: Lo.
50	P82/A2	L_CE	O	CE terminal to LCD driver	
51	P83/A3	LOCK_SW	I	Panel lock SW detection terminal.	Lock SW ON : Lo

KRC-778R/RV/RV/RV,878R,PS978R

MICROCOMPUTER TERMINAL DESCRIPTION

UPD784217GC103(105) (IC1: X14-618X-XX)

System MicroComputer

Pin	Pin Name	Signal Name	I/O	Purpose	Operation Description
52	P84/A4	WIDE	O	K2I Forced Wide output.	H:Forced Wide
53	P85/A5	NARROW	I/O	K2I Forced Narrow output.	H:Forced Narrow
54	P86/A6	AFC	I	Noise detection time constant SW	During reception: Hi /During search: Lo.
55	P87/A7	SRM_SW2	I	SRM eject position detection.	EJECT:Hi
56	P40/AD0	QUAL	I	RDS reception quality.	
57	P41/AD1	R_DATA	I	RDS data input.	
58	P42/AD2	SRM_DET	I	SRM mechanism detection.	Detected: Lo /Not detected: Hi.
59	P43/AD3	FM_SD	I	FM SD input.	Station detected: Hi /Not detected: Lo.
60	P44/AD4	N.C.	O		
61	P45/AD5	MUSIC	I	Blank detection input.	Music detected: Lo /Music not detected: Hi.
62	P46/AD6	B/C	O	Dolby B/C switching.	B = Lo, C = Hi
63	P47/AD7	Dolby	O	Dolby output.	ON : Hi, OFF : Lo
64	P50/A8	EQ_MUTE	O	EQ muting output.	During play: Lo /FF or REW:
65	P51/A9	MTL	O	Metal output.	NOMAL : Hi, METAL : Lo
66	P52/A10	F/R	O	Tape EQ input switching.	FWD:Lo, REW:Hi
67	P53/A11	MSC	O	Blank detection time constant switching.	During play: Hi /FF or REW: Lo.
68	P54/A12	MODE3	I	Cassette mechanism mode detection.	
69	P55/A13	MODE1	I	Cassette mechanism mode detection.	
70	P56/A14	MODE2	I	Cassette mechanism mode detection.	
71	P57/A15	PACK_DET	I	Cassette mechanism pack detection.	Pack detected: Lo.
72	Vss	GND	-	GND terminal.	
73	P60/A16	TYPE0	I	Destination type terminal 0.	
74	P61/A17	TYPE1	I	Destination type terminal 1.	
75	P62/A18	TYPE2	I	Destination type terminal 2.	
76	P63/A19	ST_TYPE0	I	IC2 Ver.3 destination type terminal 0.	
77	P64/RD	ST_TYPE1	I	IC2 Ver.3 destination type terminal 1.	
78	P65/WR	N.C.	O	Not used.	
79	P66/WAIT	N.C.	O	Not used.	
80	P67/ASTB	N.C.	O	Not used.	
81	Vdd	Vdd	-	B.U.5V	
82	P100/TI5/TO5	SVR	O	SVR discharge control.	POWER OFF:Hi
83	P101/TI6/TO6	PREMUTE	O	PRE mute.	Active: Lo.
84	P102/TI7/TO7	PMUTE	O	Power IC muting.	P IC ON : Hi
85	P103/TI8/TO8	CASS/SRM	O	Cassette mechanism / SRM mechanism voltage SW terminal.	C mech.:Hi, SRM mech.:Lo
86	P30/TO0	ANT_CON	O	Antenna control.	Active: Hi.
87	P31/TO1	AM+B	O	AM power supply.	Active: Hi.
88	P32/TO2	FM+B	O	FM power supply.	Active: Hi.
89	P33/TI1	P_CON	O	Power control.	Active: Hi.
90	P34/TI2	ACC_DET	I	Acc detection.	Acc OFF:Hi.
91	P35/TI00	REMO	I	Remote control input.	
92	P36/TI01	P_ON	O	Power supply control.	POWER ON:Hi
93	P37	BU_DET	I	Momentary power down detection.	Power down: Hi.
94	TEST	TEST	-	Test terminal.	
95	P90	IC2_SDA	I/O	IC2, IC5 and EEPROM data line.	
96	P91	IC2_SCK	O	IC2, IC5 and EEPROM clock line.	
97	P92	MUTE	O	Muting terminal.	OPEN:MUTE ON
98	P93	SW5V	O	5 V power supply.	Lo=SW5 ON
99	P94	N.C.	O	Not used.	
100	P95	N.C.	O	Not used.	

KRC-778R/RV/RV/RV,878R,PS978R

TEST MODE

2000 MODEL

(1) How to enter the test mode

Reset the set while holding the FM and preset 6 keys depressed.

All indications light up at the moment the test mode starts.

(2) How to exit from the test mode

Reset the set while holding the preset 6 key.

(Note) The test mode is not canceled by turning Acc OFF, turning power OFF or causing momentary power down.

(3) FM S meter voltage adjustment

1. Enter the test mode.
2. While holding the preset 1 key depressed, press and hold the preset 6 key.
3. "ADJ OK" is displayed when the result is OK or "ADJ NG" is displayed when it is No Good.

(4) AM SD voltage write

1. Enter the test mode.
2. While holding the preset 1 key depressed, press and hold the preset 6 key to write the SD voltage data.

(5) Forced Auto/Manual switching of K2I

Press and hold the TI key in the TUNER mode to switch between AUTO and MANUAL.

The initial status is MANUAL, which is indicated by the lighting of the TI dots.

(6) Forced Narrow/Wide switching of K2I

Press the preset 6 key in the TUNER mode to switch between Forced Narrow and Wide.

The initial status is Wide, which is indicated by the lighting of the NEWS dot.

(7) TAPE test mode specification

- o The blank skip function is initially turned off.

(8) Audio adjustments

- o The volume should be set to -10 dB (displayed as "30").
- o The bass/treble and balance/fader controls are set to full boost/full cut and full front/full rear respectively by single press of the UP/DOWN key.
- o The high-pass filter is set to Through/100 Hz/200 Hz by each press of the UP key, or to 200 Hz/100 Hz/Through by each press of the DOWN key.

(9) Back-up current measurement

When the set is reset while Acc is off (i.e. when the back-up power is on) or when Acc is turned off in the middle of test mode, the MUTE pin turns ON in 2 seconds instead of 15 seconds. (The panel/CD/C/MD mechanism is not activated at this time.)

(10) Procedure for security code registration after the E2PROM replacement during servicing (KRC-888 only)

1. Enter the test mode (see "(1) How to enter the test mode").
2. Press the SRC key to select ALL OFF.

3. Press and hold the AUDIO key for 1 second to enter the menu mode.

4. Press the FM/AM key to select "SECURITY".

5. Press and hold the Track UP/DOWN key for 2 seconds.

6. Enter the security code by pressing the preset 1, 2, 3 and 4 keys.

Example: To enter "3510"

- Press preset key "1" 4 times.

- Press preset key "2" 6 times.

- Press preset key "3" 2 times.

- Press preset key "4" 1 time.

7. Press and hold the DISP key for 3 seconds so that "APPROVED" is displayed.

8. Exit from the test mode (see "(2) How to exit from the test mode").

(11) Simplified security code clear procedure (KRC-X858, KRC-708)

1. During the code request mode, while holding the DISP key depressed, press and hold the Volume UP key for 3 seconds (so that "----" disappears).

2. Enter "KCAR" from the remote control unit. (Same operation as with the '98 models)

- Press numeric key "5" 2 times and press the Track UP key (to enter "K").

- Press numeric key "2" 3 times and press the Track UP key (to enter "C").

- Press numeric key "2" 1 time and press the Track UP key (to enter "A").

- Press numeric key "7" 2 times and press the Track UP key (to enter "R").

3. The security is canceled and the set enters the TUNER mode.

(12.1) MASK key write procedure in production line (when the E2PROM is in the initial status)

1. While holding the FM and preset 6 keys depressed, press RESET to enter the test mode.

2. Press and hold the AUDIO key for 1 second to enter the menu mode.

3. Press the FM or AM key to select "Mask key".

4. Press the Track UP/DOWN key shortly so that "TRANSMIT1" is displayed.

5. Point the MASK key to the light sensor and press and hold the key for more than 0.5 second.

6. When "TRANSMIT2" is displayed, press and hold the MASK key again for more than 0.5 second. Note that the first and second counter codes are not compared at this time.

7. The write operation is complete when "APPROVED" is displayed. At this time, the demonstration mode is set and the test mode is canceled.

(Note) Similarly to the '98 models, leaving the set for more than 30 minutes without writing the code causes an error and turns power off.

TEST MODE

(12.2) Procedure for canceling the MASK key request (when the set is reset or the back-up power is turned off while the MASK key is enabled)

1. When the power is supplied and the set is switched on, "TRANSMIT1" is displayed and the MASK key request mode starts.
2. Point the MASK key toward the light sensor and press and hold for more than 3 seconds (until the level indicator indicates the full condition).
3. When "TRANSMIT2" is displayed, press and hold the MASK key again for more than 3 seconds. If "TRANSMIT1" is displayed now, go back to step 2 and restart from there again.
4. When "APPROVED" is displayed, the MASK key is enabled and the set is turned on.

(12.3) Procedure for MASK key initialization (Resetting the MASK key enabled condition to the factory-set condition)

1. While holding the FM and preset 6 keys, press RESET to enter the test mode.
2. "TRANSMIT1" is displayed and the MASK key request mode starts. At this time, the display shows "* *" in place of "[]".
3. Press the MASK key cancel remote control for more than 3 seconds.
4. When "TRANSMIT2" is displayed, press and hold the MASK key again for more than 3 seconds.
5. When "APPROVED" is displayed, the MASK key is canceled, the demonstration mode is set, the test mode is canceled and the set returns to the factory-set condition.

(12.4) MASK key all-clear procedure

1. While holding the FM and preset 6 keys, press RESET to enter the test mode.
2. Press and hold the AUDIO key for more than 1 second to enter the menu mode.
3. Press the Track UP/DOWN key to select "Mask key".
4. Press and hold the FM or AM key for more than 2 seconds so that "TRANSMIT1" is displayed.
5. Point the MASK key cancel remote control toward the light sensor and press for more than 3 seconds (until the level indicator indicates the full condition).
6. When "TRANSMIT2" is displayed, press and hold the MASK key again for more than 3 seconds. If "TRANSMIT1" is displayed now, go back to step 2 and restart from there again.
7. When "APPROVED" is displayed, the E2PROM is cleared entirely and the condition in "(14) MASK key write procedure in production line (when the E2PROM is in the initial status)" returns.

(13) Other

- o Automatic panel closing when the TAPE/CD/MD is inserted is disabled.
- o Pressing the ATT key ON/OFF opens or closes the panel. (The ATT operation can be activated from the remote control unit.)
- o The DNPP/SBF key of the remote control unit (RC-510) functions as the menu mode ON/OFF key.
- o The OPEN/CLOSE key of the remote control unit (RC-510) functions as the audio adjustment mode ON/OFF key.
- o The menu feed operations occur only with the necessary features.
- o Display such as "CODE OFF" is not displayed at the moment power is turned on.
- o Pressing the TI (AUTO) key during the changer operation turns 2zone on, and pressing the TI (AUTO) key again cancels it. The P/S dot lights during the 2zone operation.
- o Pressing and holding the MENU key for more than 1 second while ALL OFF initiates the MASK KEY write mode.
- o The dimmer control of the FL models or the contrast control of the LCD models can be adjusted only to 0/5/10 using the UP/DOWN keys.

KRC-778R/RV/RV/RV,878R,PS978R

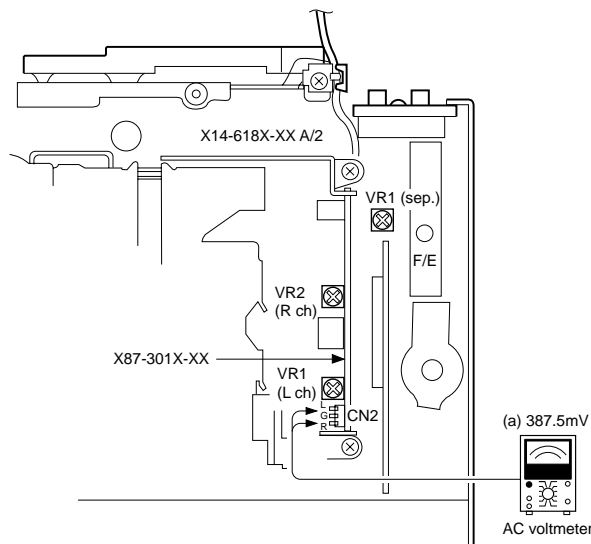
ADJUSTMENT

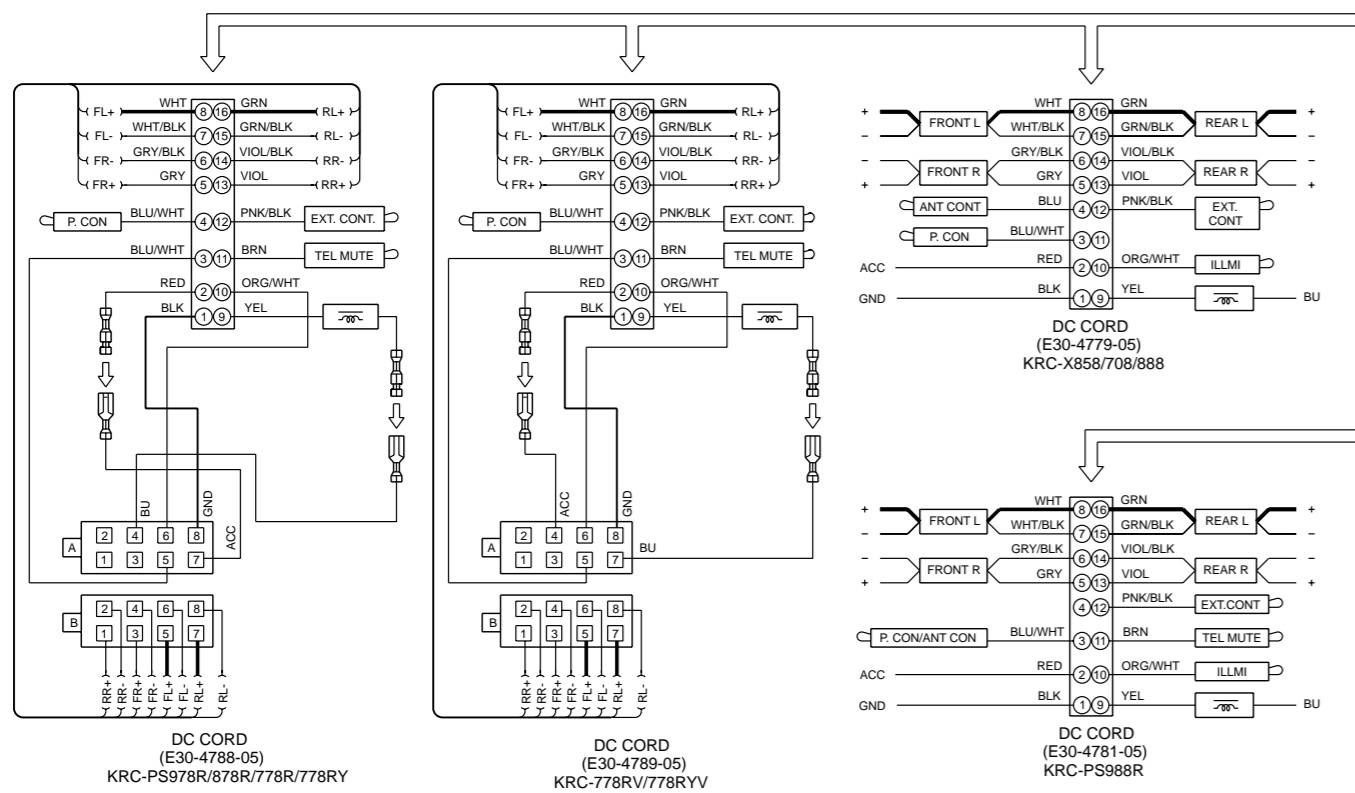
Set the controls and switches as follows.

BALANCE :center position BASS :center position LOUD :OFF DOLBY NR :OFF
 FADER :center position TREBLE :center position

No	ITEM	INPUT SETTINGS	OUTPUT SETTINGS	TUNER (RECEIVER) SETTINGS	ALIGNMENT POINTS	ALIGN FOR	FIG.
FM SECTION							
1	SEPARATION (NARROW)	98.1MHz 1kHz,±40kHz dev Pilot:±6.0kHz dev Selector:L or R 60dBμ (ANT input)	Connect a AC voltmeter to SP OUT	TEST MODE:ON (Forced Narrow) FM 98.1MHz	VR1 (X14-)	Adjust it so that the crosstalk from L to R and R to L become minimum.	
2	S METER VOLTAGE	98.1MHz 0 dev 35dBμ (ANT input)	-	TEST MODE: ON FM 98.1MHz	Preset "1" key, and preset "6" key	While holding preset "1" key, press and hold preset "6" key for a few seconds. "ADJ OK" is displayed if the adjustment is OK and "ADJ NG" is displayed if it is not good.	
AM SECTION							
(1)	SD VOLTAGE	990 kHz 0% mod 35dBμ (ANT input)	-	TEST MODE: ON AM 990 kHz	Preset "1" key, and preset "6" key	While holding preset "1" key, press and hold preset "6" key for a few seconds. "ADJ OK" is displayed if the adjustment is OK and "ADJ NG" is displayed if it is not good.	
CASSETTE DECK SECTION							
[1]	AZIMUTH	TCC-153 10kHz	Connect a AC voltmeter to SP OUT	TAPE PLAY	Head Azimuth Screw	Adjust the azimuth for each Lch/Rch or FWD/RVS becomes maximum	
[2]	PLAY BACK LEVEL	TCC-130	Connect a AC voltmeter to CN2	TAPE PLAY	VR1 (L) VR2 (R) (X87)	387.5mV (-6dBm)	(a)

TEST MODE : ON (Forced Narrow) While holding the "FM" key and preset "6" key, reset the unit.
 Press "SRC" key. Tuner mode ON.
 Press preset "6" key. "NEWS" goes OFF.

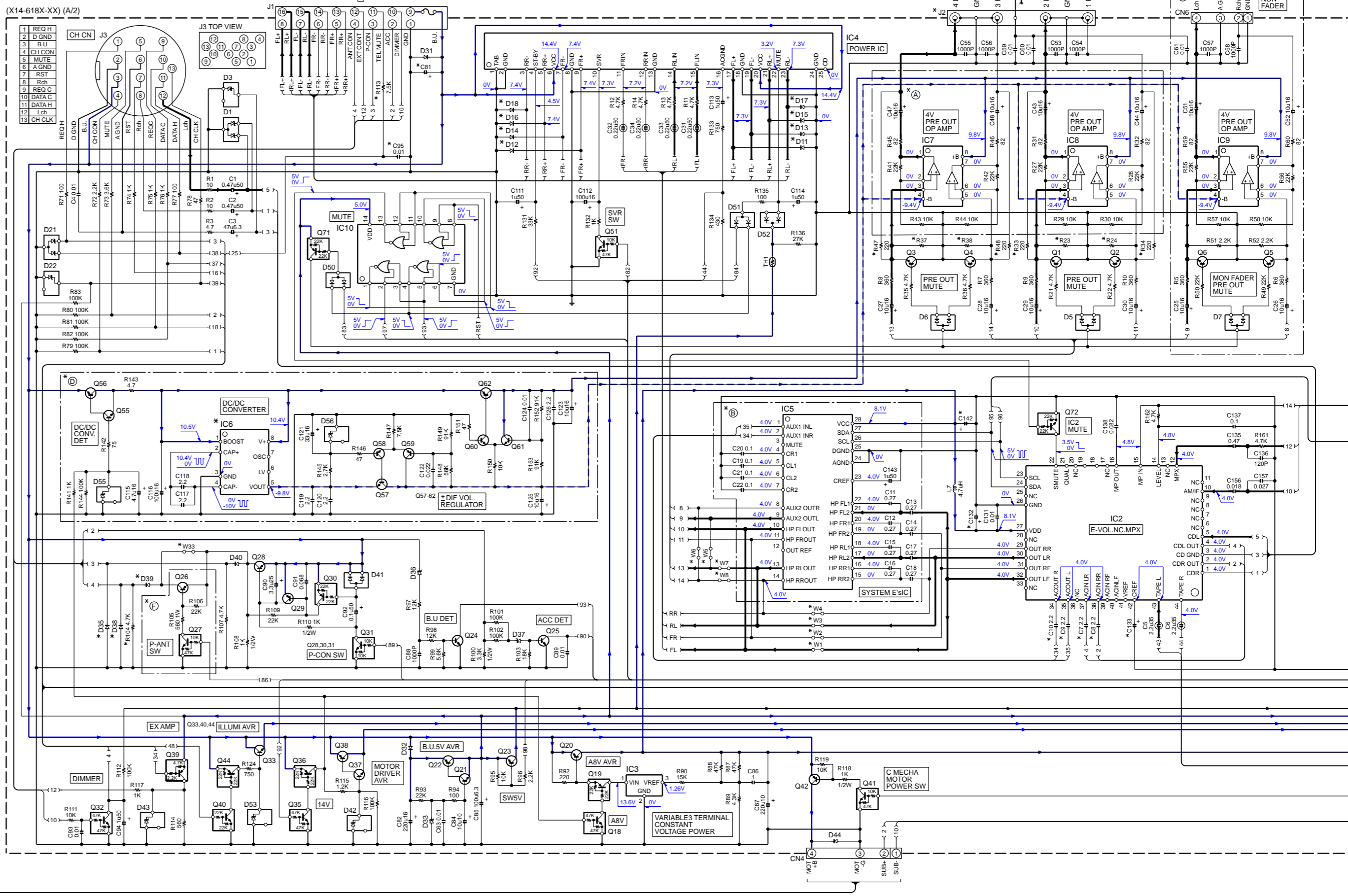
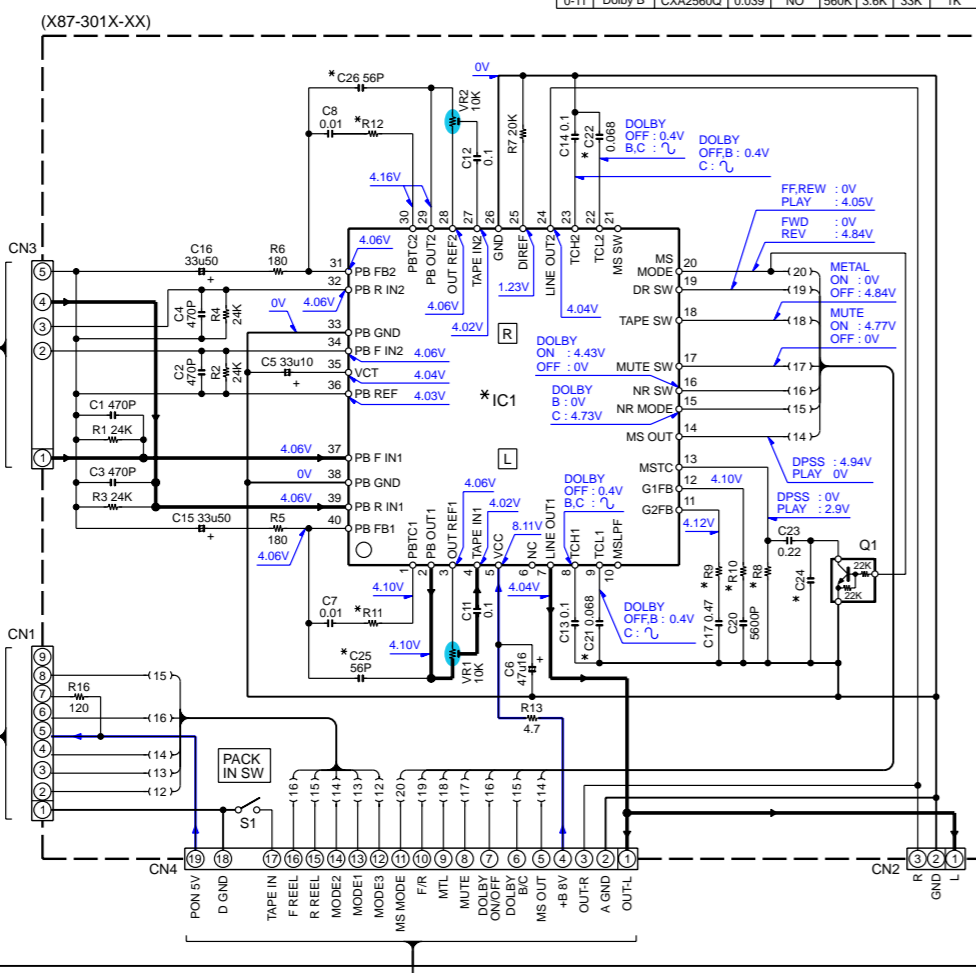
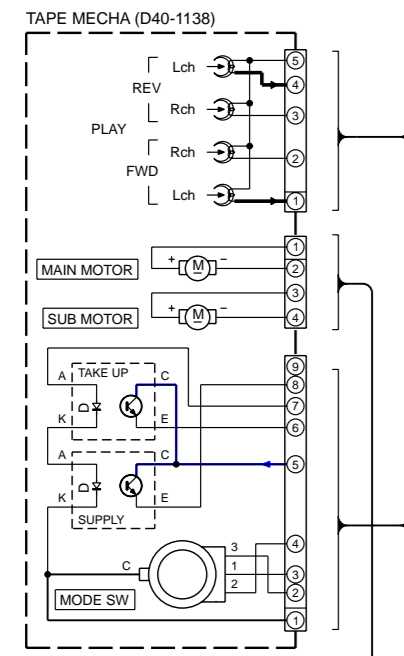


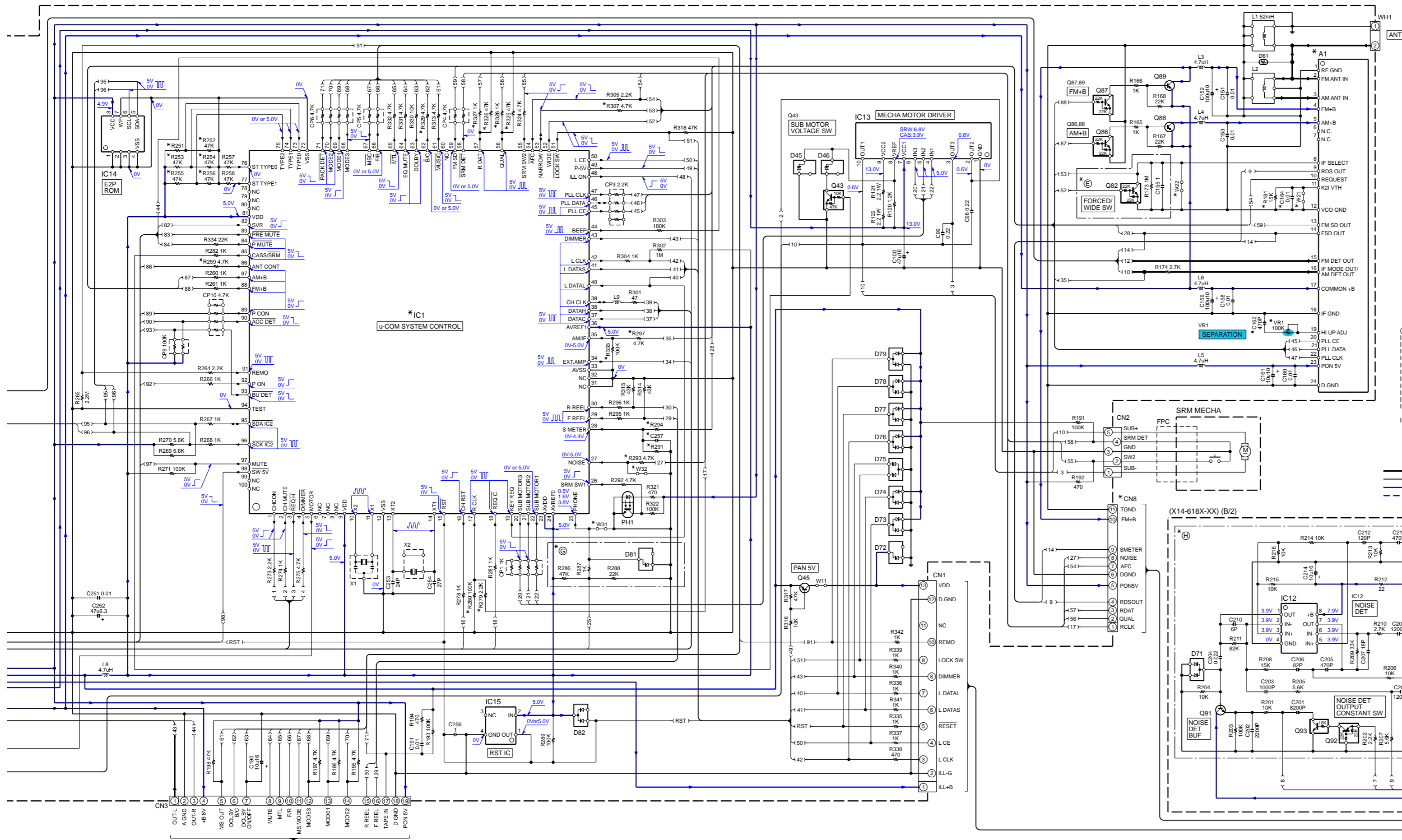


MODEL NAME	UNIT No.
KRC-PS978R	2-70
KRC-PS988R	
KRC-878R	
KRC-778RV	
KRC-778RVV	
KRC-X858	0-11
KRC-888	
KRC-708	

UNIT No.	IC1	C24	C25,26	R8	R9	R10	R11,12
2-70	Dolby Bc	CXA2561Q	0.047	YES	680K	3K	30K
0-11	Dolby B	CXA2560Q	0.039	NO	560K	3.6K	33K

Q1 : KRC103S





(X14-618X-XX)

MODEL NAME	UNIT No.	A	B	C	E	G	H	F	I	IC1	IC6
KRC-PS978R	2-70	YES	YES	YES	YES	NO	YES	NO	YES	UPD784219GC105	TC7662BE0A
KRC-878R	2-71	NO	YES	NO	YES	NO	YES	NO	YES	UPD784219GC105	NO
KRC-778R/RV	2-72	NO	NO	NO	YES	NO	YES	NO	YES	UPD784219GC103	NO
KRC-778R/RVY	2-73	NO	NO	NO	YES	NO	YES	NO	YES	UPD784219GC103	NO
KRC-PS988R	0-21	YES	YES	YES	YES	NO	YES	NO	YES	UPD784219GC105	TC7662BE0A
KRC-X858	0-11	YES	YES	NO	NO	NO	YES	YES	YES	UPD784219GC103	ICL7660SIBA
KRC-888	0-22	NO	NO	NO	NO	NO	YES	NO	YES	UPD784219GC103	NO
KRC-708	0-12	NO	NO	NO	NO	NO	YES	NO	YES	UPD784219GC103	NO

MODEL NAME	A1	D11-18	D35	D38-39	C7-10	C81	C95	C96	C132	C133	C142	C257
KRC-PS978R	X86-3222-70	NO	NO	YES	YES	C90-5242	YES	47u10	2.2u50	22u25	1000P	1000P
KRC-878R	X86-3222-70	NO	NO	YES	YES	C90-5242	YES	100u10	1u50	47u10	1000P	
KRC-778R/RV	X86-3222-70	NO	NO	YES	NO	C90-5242	YES	100u10	1u50	NO	1000P	
KRC-778R/RVY	X86-3222-70	NO	NO	YES	NO	C90-5242	YES	100u10	1u50	NO	1000P	
KRC-PS988R	X86-3222-70	YES	YES	NO	YES	C90-5242	YES	47u10	2.2u50	22u25	1000P	
KRC-X858	X86-3100-10	YES	NO	YES	YES	C90-5242	NO	100u10	1u50	47u10	4700P	
KRC-888	X86-3100-10	YES	NO	YES	NO	C90-5243	NO	100u10	1u50	NO	4700P	
KRC-708	X86-3100-10	YES	NO	YES	NO	C90-5243	NO	100u10	1u50	NO	4700P	

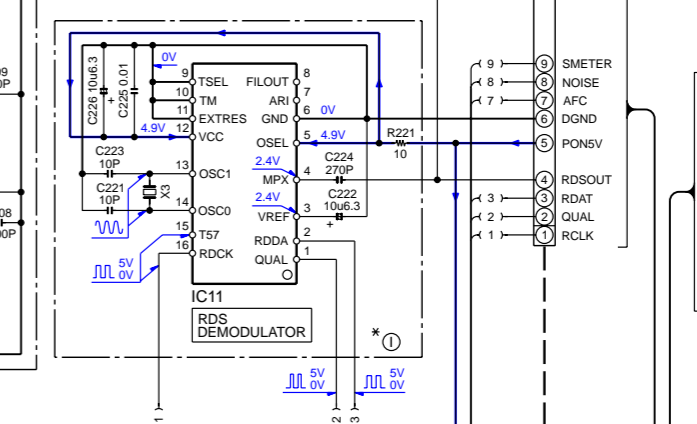
MODEL NAME	R23,24	R33,34	R104	R113,181	R251	R252	R253	R254	R255	R256	R259	R270
KRC-PS978R	22K	NO	YES	YES	YES	NO	YES	NO	YES	NO	YES	NO
KRC-878R	22K	YES	YES	YES	NO	YES	NO	NO	YES	NO	YES	NO
KRC-778R/RV	22K	YES	YES	YES	YES	NO	YES	NO	YES	NO	YES	NO
KRC-778R/RVY	22K	YES	YES	YES	NO	YES	NO	NO	YES	NO	YES	NO
KRC-PS988R	22K	NO	NO	YES	NO	YES	NO	YES	YES	NO	YES	NO
KRC-X858	22K	NO	NO	YES	NO	YES	NO	YES	NO	YES	YES	YES
KRC-888	22K	YES	YES	NO	NO	YES	NO	NO	YES	NO	YES	NO
KRC-708	22K	YES	YES	NO	YES	NO	YES	NO	YES	NO	YES	NO

MODEL NAME	R280	R291	R294	R329	VR1	W1-4	W5	W6	W7	W21,22	W3	CN8	J2
KRC-PS978R	NO	120K	27K	YES	YES	NO	NO	YES	NO	YES	YES	YES	E63-0854(GOLD)
KRC-878R	NO	120K	27K	NO	YES	NO	NO	YES	NO	NO	YES	YES	E63-0853
KRC-778R/RV	NO	120K	27K	NO	YES	NO	NO	YES	NO	NO	YES	YES	E63-0853
KRC-778R/RVY	NO	120K	27K	NO	YES	NO	NO	YES	NO	NO	YES	YES	E63-0853
KRC-PS988R	NO	120K	27K	YES	YES	NO	NO	YES	NO	NO	YES	YES	E63-0854(GOLD)
KRC-X858	NO	160K	22K	NO	NO	NO	NO	YES	NO	YES	YES	YES	E63-0854(GOLD)
KRC-888	YES	160K	22K	NO	NO	NO	NO	YES	NO	YES	NO	NO	E63-0853
KRC-708	YES	160K	22K	NO	NO	NO	NO	YES	NO	YES	NO	NO	E63-0853

- (X14-618X-XX)
- IC1 : *
 - IC2 : TDA7400
 - IC3 : MC237ML
 - IC4 : TDA7386
 - IC5 : TDA7401
 - IC6 : *
 - IC7-9,12 : NUM4565M-TE2
 - IC10 : TC74HC02AF
 - IC11 : TDA749D
 - IC13 : B239A
 - IC14 : BR24C01AF or M24C01-WMN6T
 - IC15 : S-80830ANPN
- Q1-6,21,24,25,37,55,57,60,61
 - Q18,32,35 : ZSC2412K (ZSD601A)
 - Q19,30,36,71 : KRA103S (DTA124EK) (UN2213)
 - Q20,22 : 2SB1565F(E,F) (UN2112)
 - Q23,29,45,58,59,62 : 2SA1037K
 - Q26,28 : 2SB239A
 - Q27,43,51 : KRC107S (DTC114YK) (UN2214)
 - Q31 : DTC114EK (UN2211)
 - Q33 : 2SD1760
 - Q38,42,56 : 2SB1443
 - Q39 : DTA123JK
 - Q40 : DTC124EUA (UN5212)
 - Q41 : DTC114YUA (UN5214)
 - Q44,92 : DTA124EUA (UN5112)
 - Q72,82,86,87 : KRC103S (DTC124EK) (UN2212)
 - Q88,89 : 2SB1188(Q,R)
 - Q91 : 2SC4081 (2SD1819A)
 - Q93 : DTC114TK (UN2215)
- D1 : RD6.8MW
 - D3,22,72 : MA3062-M
 - D5 : DAP202K (MA152WA)
 - D6,7,50,51 : DAP202U (MA142WA)
 - D11-18,35,38 : MIF60
 - D21,75 : MA3062WA
 - D31 : DAP202K (MA152WK)
 - D32,39,40,44 : 1SR139-400
 - D33,36 : MA4056 (N-M)
 - D37 : MA4062 (N-M)
 - D41,52,71,82 : DAN202K (MA152WK)
 - D42 : MA3220-H
 - D43,56 : MA3056-M
 - D45 : MA3075-M
 - D46 : MA3036-H
 - D53,55 : MA3110-L (HZM11N (B1))
 - D61 : IMSA-6801
 - D73,74,76-79 : KDS226 (DA204K)
 - D81 : MA3047-M (HZM4.7N (B2))

(X13-978X-XX)

MODEL NAME	UNIT No.
KRC-PS978R	0-10
KRC-X858	0-10
KRC-778R/RV	0-11
KRC-PS988R	0-11
KRC-878R	0-11
KRC-888	0-11
KRC-708	0-11



CAUTION: For continued safety, replace safety critical components only with manufacturer's recommended parts (refer to parts list). Δ indicates safety critical components. For continued protection against risk of fire, replace only with same type and rating fuse(s). To reduce the risk of electric shock, leakage-current or resistance measurements shall be carried out (exposed parts are acceptably insulated from the supply circuit) before the appliance is returned to the customer.

KRC-778R/RV/RVY,878R,PS978R



DTA114EK KRC103S
 DTA123JK UN5214
 DTA124EK 2SC2412K
 DTC114EK 2SD1819A
 DTC114TK 2SD2114K
 DTC114YK
 DTC114YUA
 DTC124EK
 DTC144EK

2SB1188 2SB1277
 2SB1443

2SA1037K DTA124EUA
 2SC4081 DTC124EUA
 KRC104S

BA6238A NJM4565M-TE2

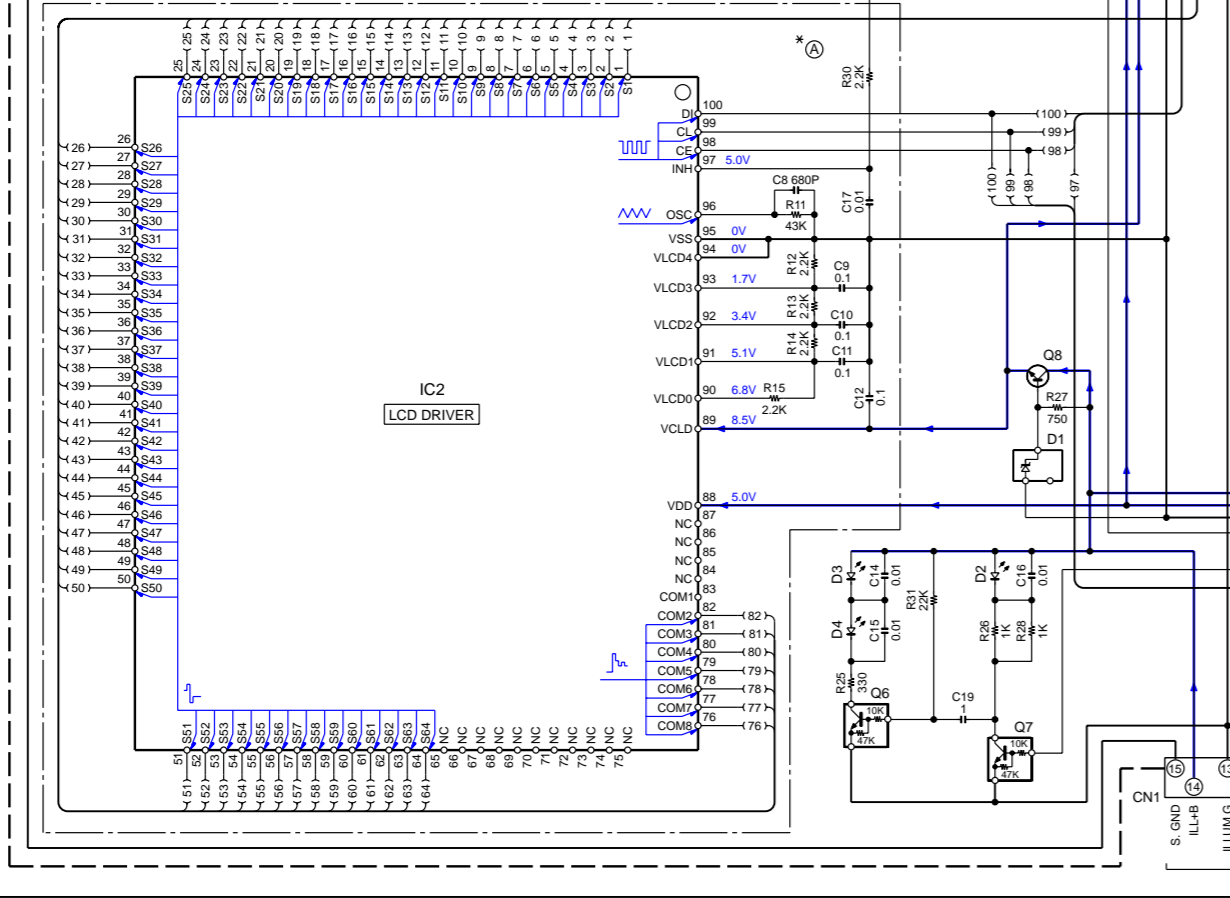
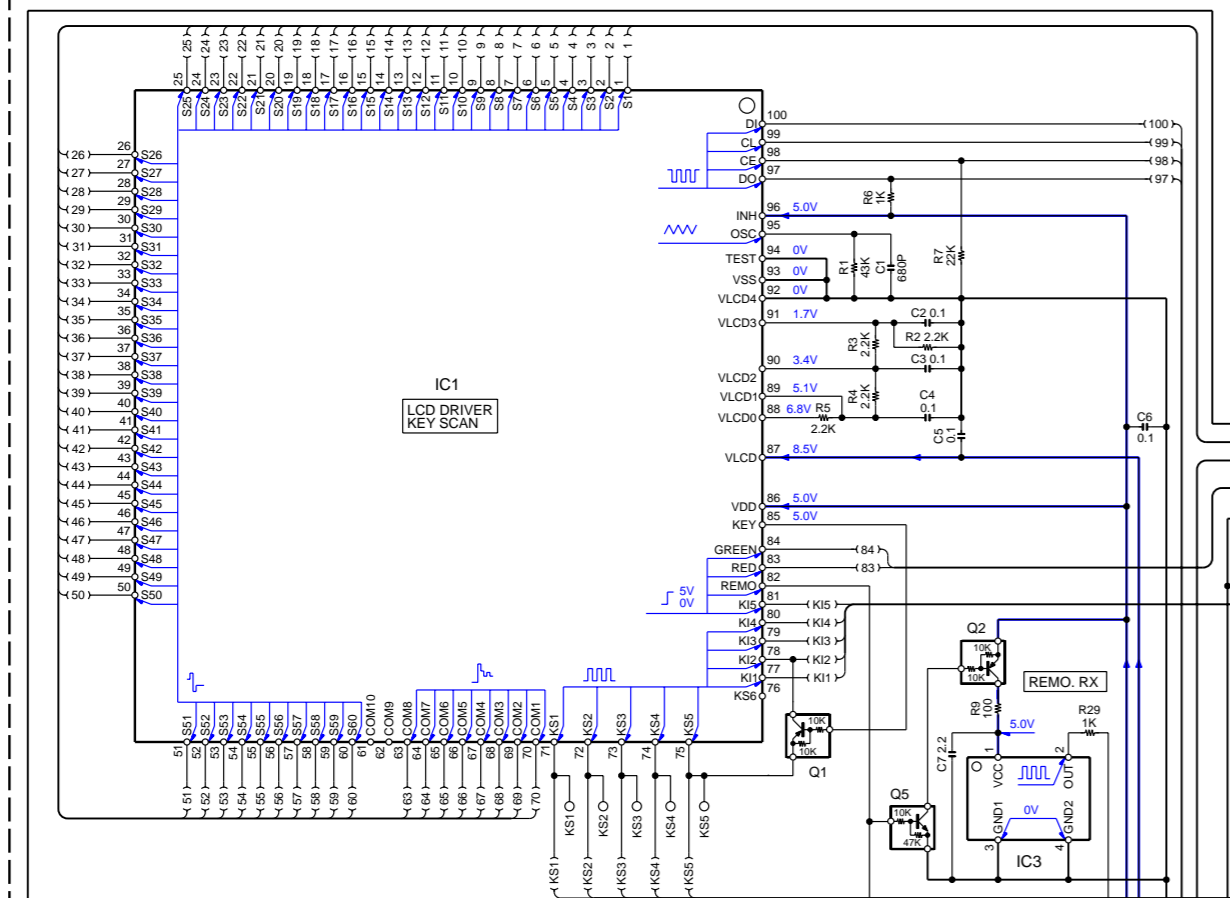
DAN202K DAP202K
 A1 DAP202U
 A2 DA204K

MA142WA TC74HC02AF
 UN5212

BR24C01AF M5237ML

TDA7479D

(X13-972X-XX)



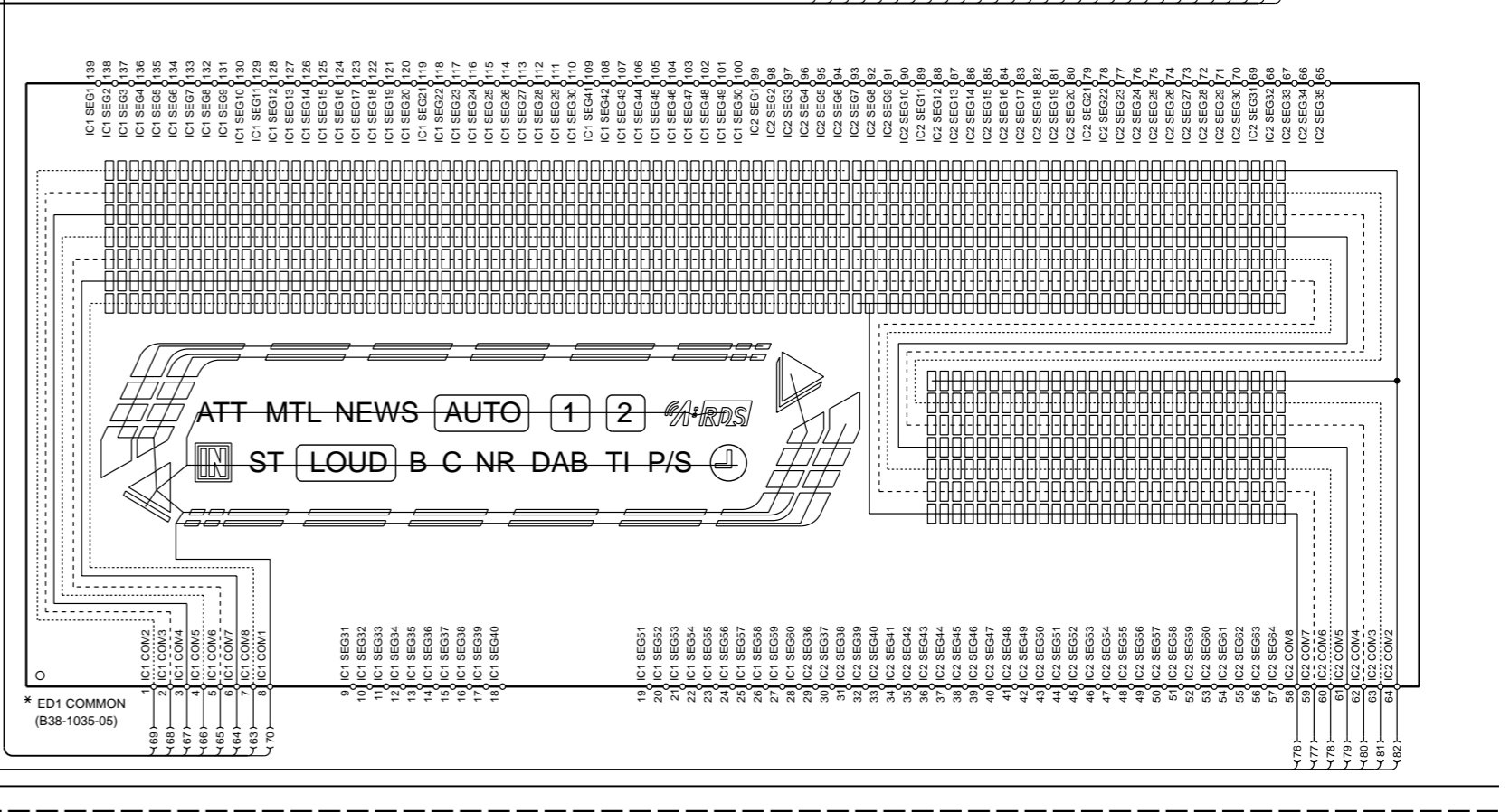
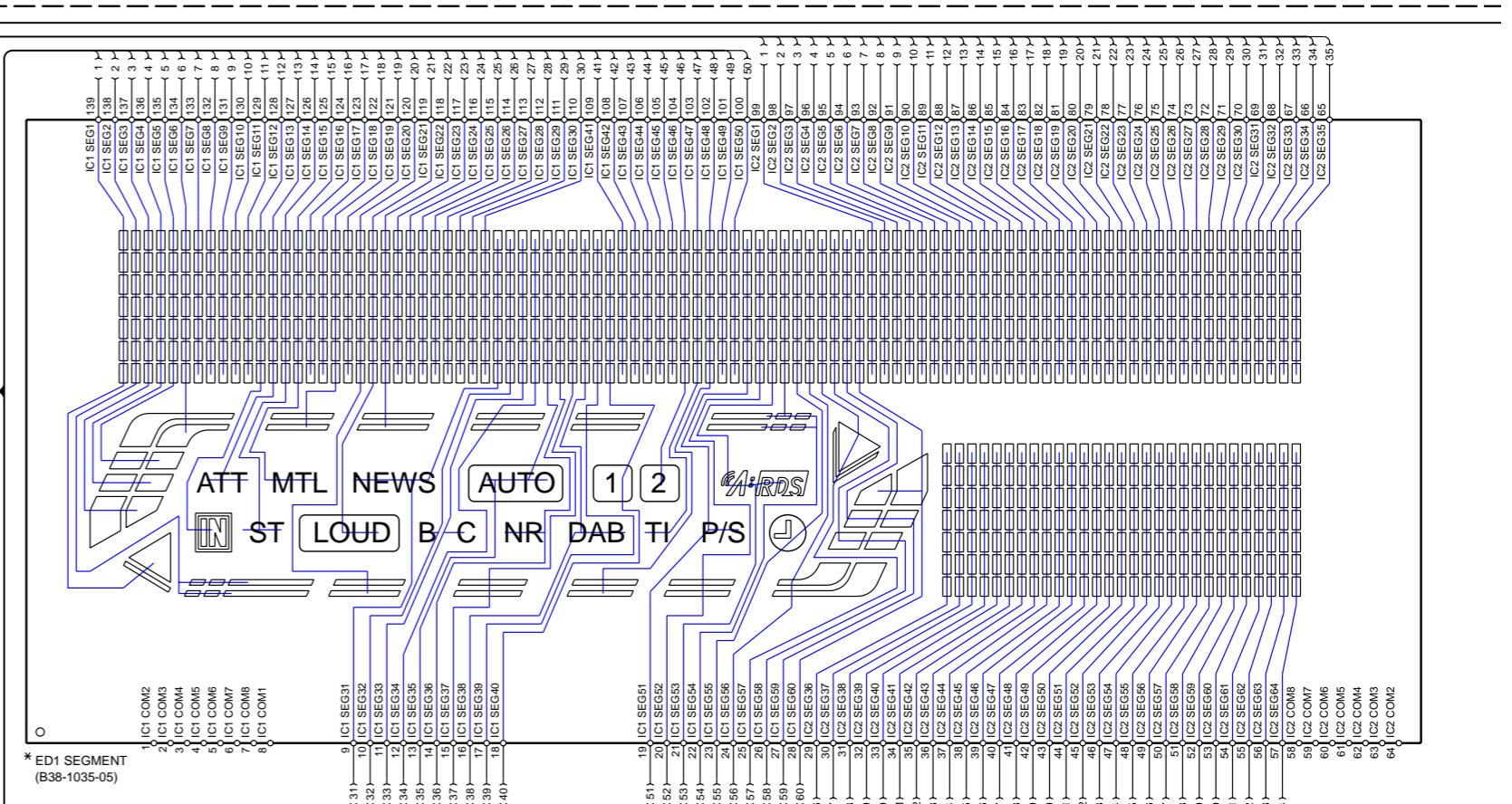
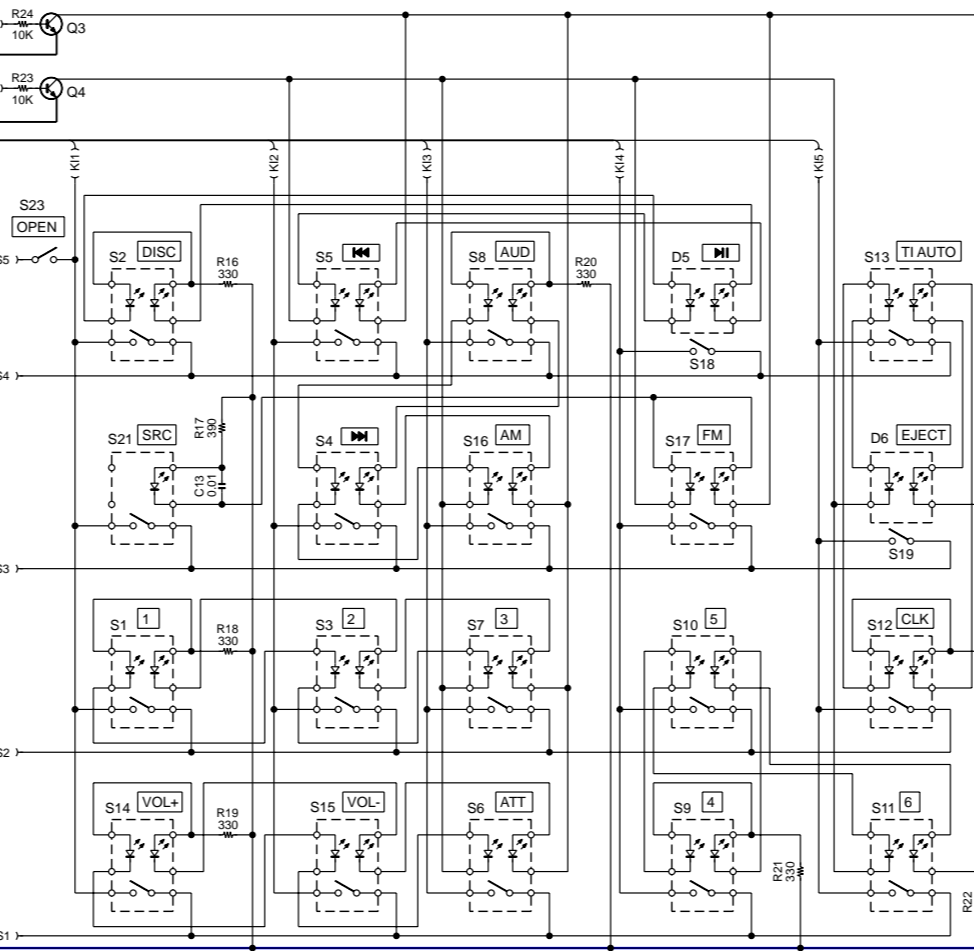
MODEL NAME	UNIT No.	ED1	A
KRC-X858	0-10	B38-1034	NO
KRC-7088			
KRC-888			
KRC-778R			
KRC-PS989R	0-21	B38-1035	YES
KRC-PS978R			
KRC-878R			
KRC778RV	2-71	B38-1036	NO
KRC778RV			

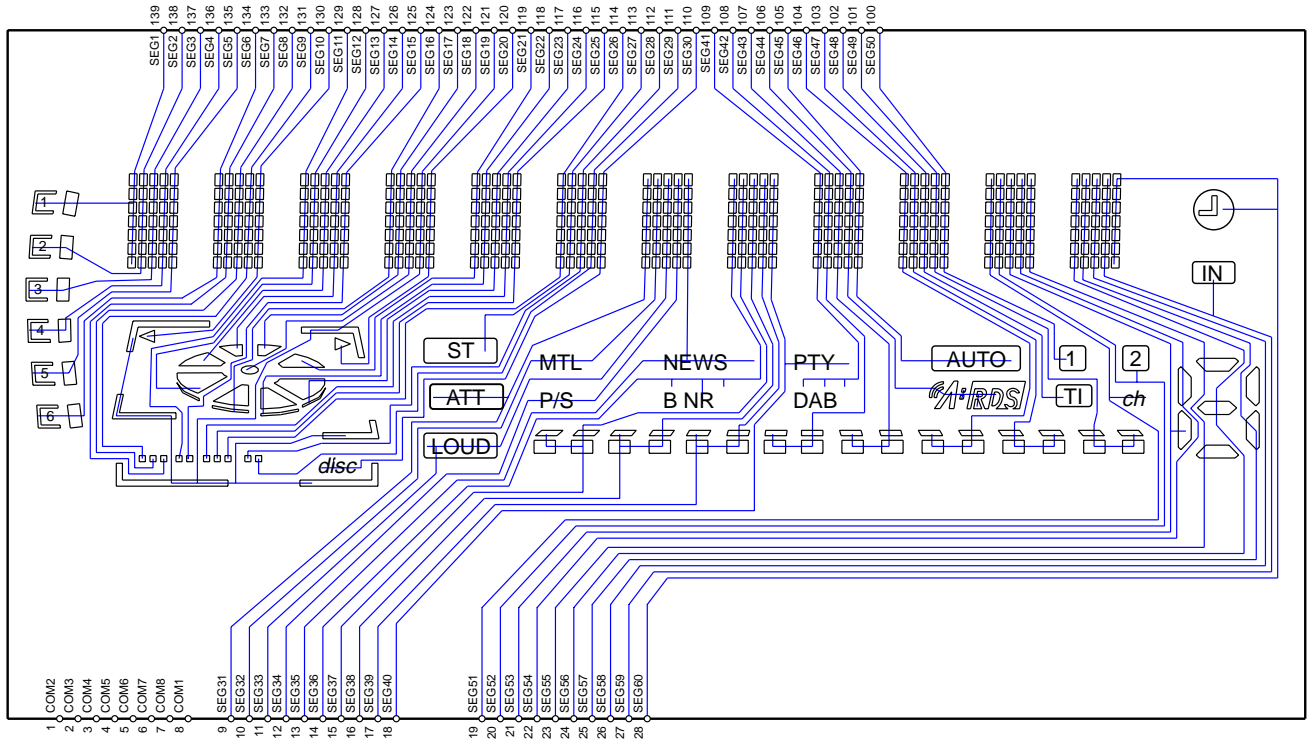
IC1 : LC75808W
 IC2 : LC75878W
 IC3 : RS-171

Q1,2 : DTA114EK or UN2111
 Q3,4 : 2SD2114K
 Q5,7 : KRC107S
 Q8 : 2SC2412K or 2SD601A

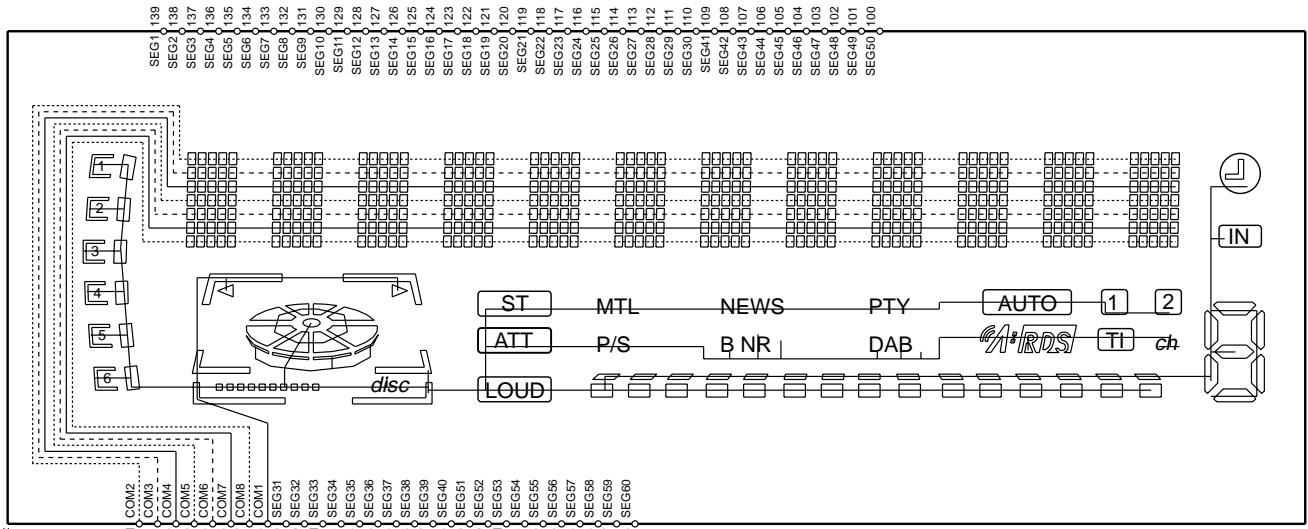
D1 : MA3091-M
 D2-4 : B30-1571-05
 D5,6 : B30-1562-05

ED1 : *





* ED1 SEGMENT
(B38-1034-05)
(B38-1036-05)

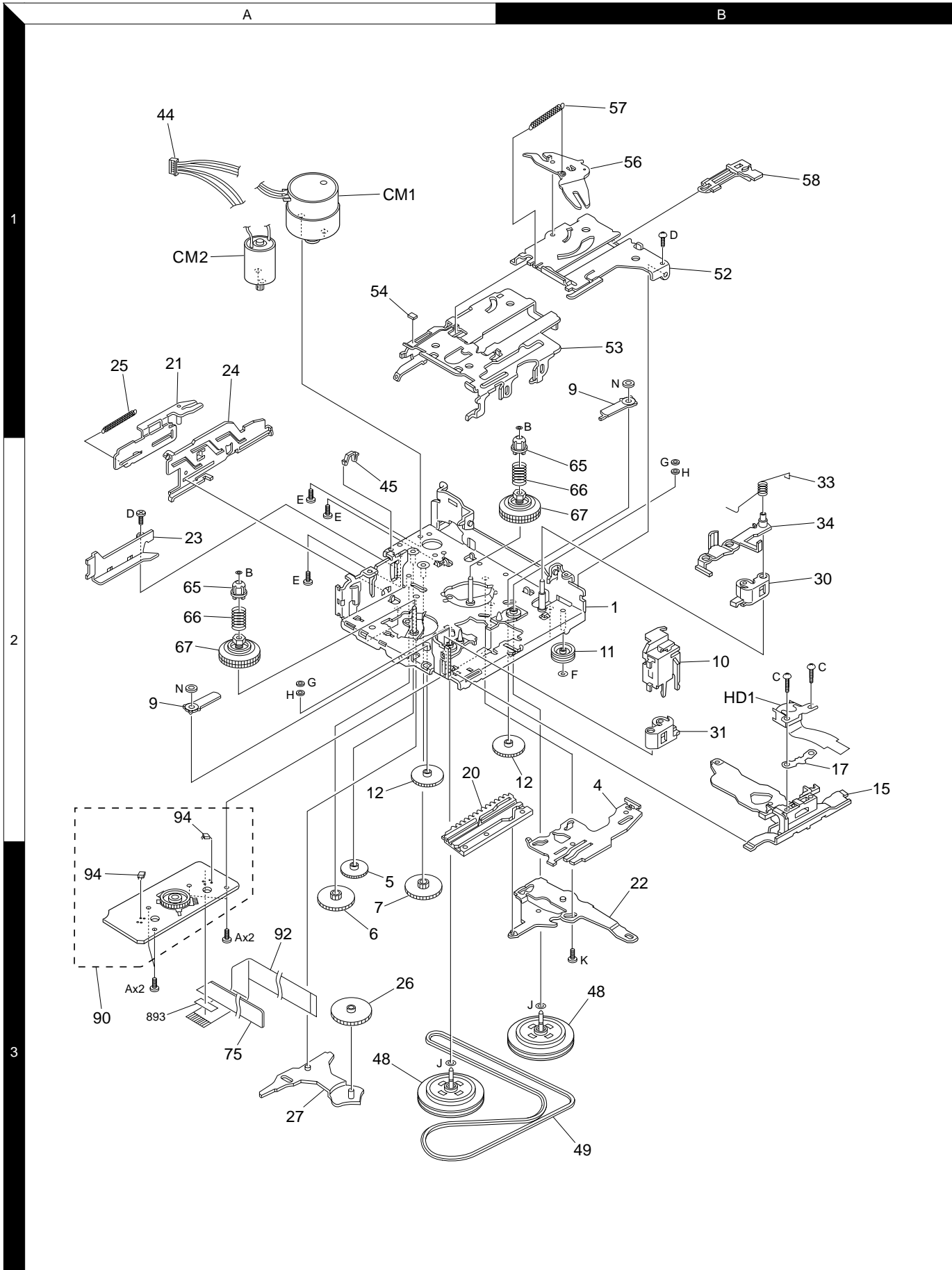


* ED1 COMMON
(B38-1034-05)
(B38-1036-05)

CAUTION: For continued safety, replace safety critical components only with manufacturer's recommended parts (refer to parts list). Δ indicates safety critical components. For continued protection against risk of fire, replace only with same type and rating fuse(s). To reduce the risk of electric shock, leakage-current or resistance measurements shall be carried out (exposed parts are acceptably insulated from the supply circuit) before the appliance is returned to the customer.

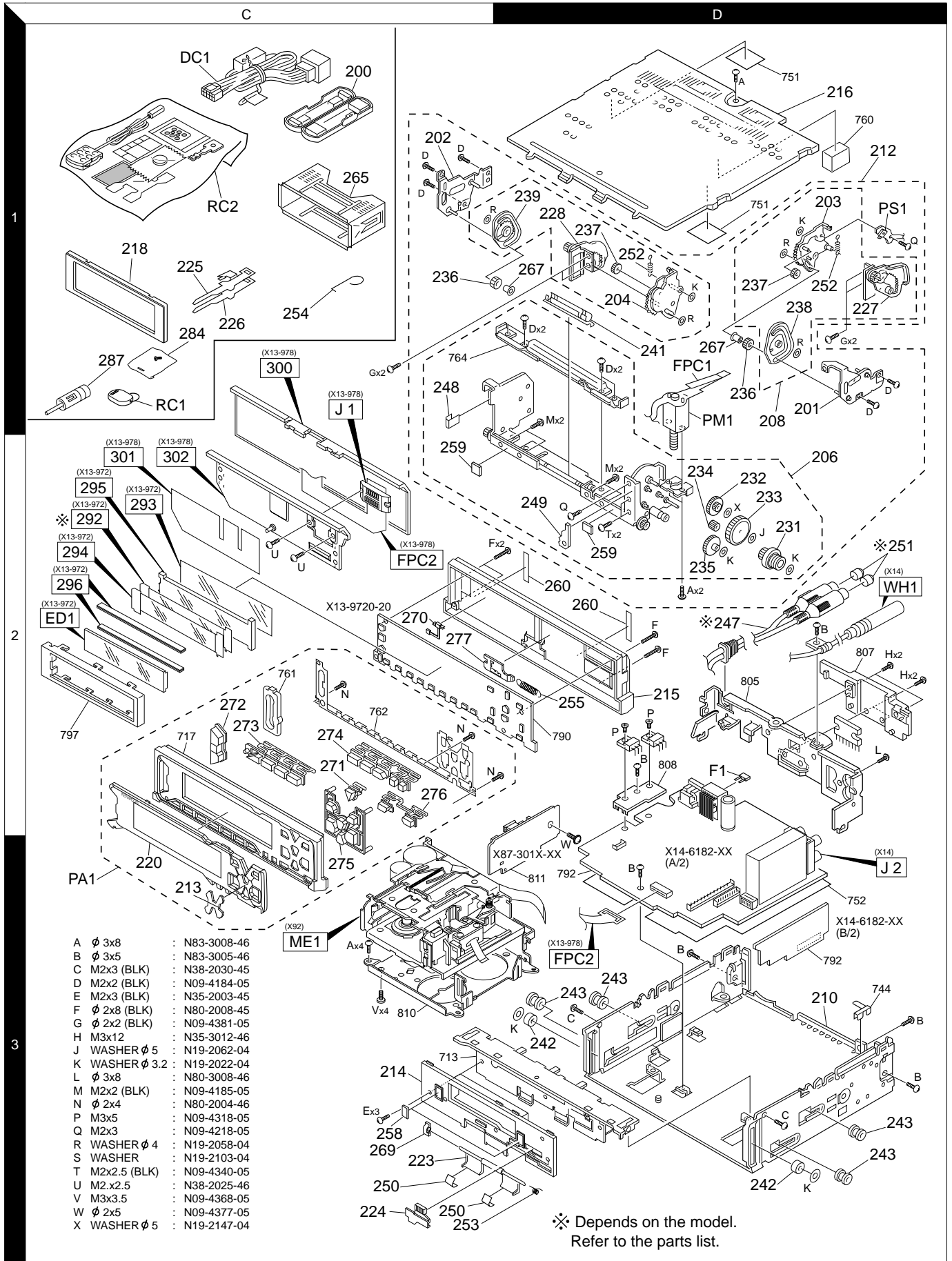
KRC-778R/RV/RV/RV,878R,PS978R

EXPLODED VIEW (MECHANISM)



KRC-778R/RV/RV/RV,878R,PS978R

EXPLODED VIEW (UNIT)



KRC-778R/RV/RV/RV,878R,PS978R

PARTS LIST

* New Parts

Parts without **Parts No.** are not supplied.

Les articles non mentionnés dans le **Parts No.** ne sont pas fournis.

Teile ohne **Parts No.** werden nicht geliefert.

Ref.No.	A d d	N e w	Parts No.	Description	Dest inati on	Ref.No.	A d d	N e w	Parts No.	Description	Dest inati on
KRC-778R/RV/RV/RV, 878R, PS978R						231	2D		D13-1302-64	GEAR ASSY	
200	1C		A02-1489-03	PLASTIC CABINET ASSY		232	2D		D13-1306-24	GEAR	
201	1D		A10-4315-04	CHASSIS CALKING ASSY		233	2D		D13-1403-03	GEAR	
202	1C		A10-4317-04	CHASSIS CALKING ASSY		234	2D		D13-1404-04	GEAR	
203	1D		A10-4319-04	CHASSIS CALKING ASSY		235	2D		D13-1453-14	GEAR ASSY	
204	1D		A10-4321-04	CHASSIS CALKING ASSY		236	1D		D13-1312-34	GEAR	
206	2D		A10-4534-23	CHASSIS ASSY		237	2D		D13-1313-04	GEAR	
208	1D		A10-4674-02	CHASSIS ASSY		238	1D		D13-1455-13	GEAR ASSY	
209	1D		A10-4676-02	CHASSIS ASSY		239	1D		D13-1456-13	GEAR ASSY	
210	3D	*	A10-4661-03	CHASSIS ASSY		241	1D		D14-0678-04	ROLLER ASSY	
212	1D		A10-4671-02	CHASSIS ASSY		242	3D		D14-0716-14	ROLLER	
		*				243	3D		D14-0723-04	ROLLER	
213	3C	*	A21-4010-03	DRESSING PANEL	E1E2E3	247	1D	*	E30-4800-05	CORD WITH PINPLUG	E
213	3C	*	A21-4010-03	DRESSING PANEL	E4E5	Δ DC1	1C	*	E30-4788-05	DC CORD	EE1E2
213	3C	*	A21-4011-03	DRESSING PANEL	E	Δ DC1	1C	*	E30-4788-05	DC CORD	E4
214	3C		A22-2294-02	SUB PANEL		Δ DC1	1C		E30-4789-05	DC CORD	E3E5
215	2D		A46-1652-01	REAR COVER		248	1D		F09-1244-04	SHEET	
216	1D		A52-0741-12	TOP PLATE		249	2D	*	F09-1644-04	SHEET	
PA1	3C	*	A64-1854-02	PANEL ASSY	E	250	3C		F09-1292-04	SHEET	
PA1	3C	*	A64-1855-02	PANEL ASSY	E1	251	2D		F29-0049-05	INSULATING COVER	E
PA1	3C	*	A64-1856-02	PANEL ASSY	E2E4	Δ F1	2D		F52-0006-05	FUSE(MINI BLADE TYPE)	
PA1	3C	*	A64-1952-02	PANEL ASSY	E3E5	Δ F1	2D		F52-0011-05	FUSE(MINI BLADE TYPE)	
RC1	1C		A70-0886-15	REMOTE CONTROLLER ASSY(MASK)		252	1D		G01-2818-24	EXTENSION SPRING	
RC2	1C		A70-0874-05	REMOTE CONTROLLER ASSY(RC700)	EE1	253	3C		G01-2920-14	TORSION COIL SPRING	
218	1C		B07-2139-03	ESCUTCHEON ASSY	E1E2E3	254	1C		G01-2924-04	TORSION COIL SPRING	
218	1C		B07-2139-03	ESCUTCHEON ASSY	E4E5	255	2D		G01-2984-04	EXTENSION SPRING	
218	1C		B07-2146-03	ESCUTCHEON ASSY	E	258	3C		G11-1797-04	CUSHION	
220	3C	*	B10-3095-01	FRONT GLASS	E	259	2D		G11-1850-04	CUSHION	
220	3C	*	B10-3096-01	FRONT GLASS	E1	260	2D		G16-1147-04	SHEET	
220	3C	*	B10-3097-01	FRONT GLASS	E2E4	-		*	H10-4707-02	POLYSTYRENE FOAMED FIXTURE	
220	3C	*	B10-3098-01	FRONT GLASS	E3E5	-		*	H21-1123-04	PROTECTION SHEET	
-			B46-0100-50	WARRANTY CARD	EE1E2	-		*	H25-0329-04	PROTECTION BAG (280X450)	E4E5
-			B46-0100-50	WARRANTY CARD	E3	-		*	H25-0337-04	PROTECTION BAG (180X300)	
-			B46-0632-04	ID CARD		-		*	H25-1108-04	PROTECTION BAG (100X300)	
-			B58-1278-04	CAUTION CARD	EE1E2	-		*	H25-1111-04	PROTECTION BAG (280X450)	EE1E2
-			B58-1278-04	CAUTION CARD	E3	-		*	H25-1111-04	PROTECTION BAG (280X450)	E3
-			B58-1283-04	CAUTION CARD	E4E5	-		*	H54-1668-03	ITEM CARTON CASE	E
-			B58-1309-04	CAUTION CARD		-		*	H54-1669-03	ITEM CARTON CASE	E1
-			B58-1321-14	CAUTION CARD	E1E2E3	-		*	H54-1670-03	ITEM CARTON CASE	E2
-			B58-1321-14	CAUTION CARD	E4E5	-		*	H54-1671-03	ITEM CARTON CASE	E3
-		*	B59-0742-00	SUB-INSTRUCTION MANUAL		-		*	H54-1672-03	ITEM CARTON CASE	E4
-		*	B64-1612-00	INST. MANUAL (ENGLISH)		-		*	H54-1673-03	ITEM CARTON CASE	E5
-		*	B64-1613-00	INST. MANUAL (FRE.GER.DUT)	EE1E2	265	1C		J21-9491-03	MOUNTING HARDWARE ASSY	
-		*	B64-1613-00	INST. MANUAL (FRE.GER.DUT)	E3	267	1D		J31-1035-24	COLLAR	
-		*	B64-1614-00	INST. MANUAL (ITA.SPA.POR)	EE1E2	269	3C		J90-0923-14	GUIDE	
-		*	B64-1614-00	INST. MANUAL (ITA.SPA.POR)	E3	FPC1	1D		J84-0062-23	FLEXIBLE PRINTED WIRING BOARD	
-		*	B64-1615-00	INST. MANUAL (RUS.POL.CZE)	E4E5	270	3C		K24-3540-03	KNOB (OPEN)	
-		*	B64-1616-00	INST. MANUAL (HUN.CRO.)	E4E5	271	2C		K24-3541-04	KNOB (SRC)	
223	3C		D10-4299-03	ARM		272	2C		K25-1095-03	KNOB (VOL)	
224	3C		D10-4300-24	LEVER		273	2C		K25-1096-03	KNOB (P1-3)	
225	1C		D10-4302-14	LEVER		274	2C		K25-1097-03	KNOB (P4-6)	
226	1C		D10-4301-14	LEVER		275	2C		K25-1098-03	KNOB (FM/AM)	
227	1D		D10-4448-03	ARM ASSY		276	2C		K25-1099-03	KNOB (CLK)	
228	1D	*	D10-4451-03	ARM ASSY							

E: Europe K: North America M: Other Areas

E : KRC-PS978R

E1 : KRC-878R

E2 : KRC-778R

E3 : KRC-778RV

E4 : KRC-778RY

E5 : KRC-778RYV

Δ indicates safety critical components.

KRC-778R/RV/RV/RV,878R,PS978R

PARTS LIST

* New Parts

Parts without **Parts No.** are not supplied.

Les articles non mentionnés dans le **Parts No.** ne sont pas fournis.

Teile ohne **Parts No.** werden nicht geliefert.

Ref.No.	A d d	N e w	Parts No.	Description	Dest inati on	Ref.No.	A d d	N e w	Parts No.	Description	Dest inati on
277	2C		K29-7010-04	KNOB ASSY (LOCK)		R11			RK73FB2A433J	CHIP R 43KJ 1/10W	EE1
284	1C		N99-1683-05	SCREW SET		R12 -15			RK73FB2A222J	CHIP R 2.2K J 1/10W	EE1
A	3C		N83-3008-46	PAN HEAD TAPTITE SCREW		R16			RK73EB2B331J	CHIP R 330J 1/8W	
B	3D		N83-3005-46	PAN HEAD TAPTITE SCREW		R17			RK73EB2B391J	CHIP R 390 J 1/8W	
C	3C		N38-2030-45	PAN HEAD MACHIN SCREW		R18 -22			RK73EB2B331J	CHIP R 330 J 1/8W	
D	1D		N09-4184-05	MACHINE SCREW (M2X2)		R23 ,24			RK73FB2A103J	CHIP R 10K J 1/10W	
E	3C		N09-4384-05	BINDING HEAD TAPTITE SCREW		R25			RK73EB2B331J	CHIP R 330 J 1/8W	
F	2D		N80-2008-45	PAN HEAD TAPTITE SCREW		R26			RK73EB2B122J	CHIP R 1.2K J 1/8W	
G	1C		N09-4381-05	MACHINE SCREW (M2X2)		R27			RK73FB2A751J	CHIP R 750 J 1/10W	
J	2D		N19-2062-04	FLAT WASHER		R28			RK73EB2B122J	CHIP R 1.2K J 1/8W	
K	2D		N19-2022-04	FLAT WASHER		R29			RK73FB2A102J	CHIP R 1.0K J 1/10W	
M	1D		N09-4185-05	MACHINE SCREW (M2X2)		R30			RK73FB2A222J	CHIP R 2.2K J 1/10W	EE1
N	2C		N80-2004-46	PAN HEAD TAPTITE SCREW		R31			RK73FB2A223J	CHIP R 22K J 1/10W	
Q	1D		N09-4218-05	MACHINE SCREW (M2X3)		S1 -13			S70-0856-05	TACT SWITCH	
R	1D		N19-2058-04	FLAT WASHER		S14 -17			S70-0860-05	TACT SWITCH	
S	1D		N19-2103-04	FLAT WASHER		S18 -20			S70-0851-05	TACT SWITCH	
T	2D		N09-4340-05	MACHINE SCREW (M2X2.5)		S21			S70-0857-05	TACT SWITCH	
X	2D		N19-2147-04	FLAT WASHER		S22			S68-0822-05	PUSH SWITCH	
PS1	1D		S68-0829-05	PUSH SWITCH		S23			S70-0864-05	TACT SWITCH	
287	1C		T90-0523-05	ANTENNA ADAPTOR		D1			MA3091-M	ZENER DIODE	
PM1	1D		T42-0752-34	MOTOR ASSY		IC1			LC75808W	MOS-IC	
SWITCH UNIT (X13-972X-XX)						IC2		*	LC75878W	MOS-IC	EE1
292	2C	*	B11-1304-04	COLOR FILTER	E3E5	IC3			RS-171	ANALOGUE IC	
293	2C		B11-0970-04	REFLECTION SHEET	E3E5	Q1 ,2			DTA114EK	DIGITAL TRANSISTOR	
294	2C	*	B11-0990-04	OPTICAL DIFFUSER	EE1E2	Q1 ,2			UN2111	DIGITAL TRANSISTOR	
294	2C	*	B11-1301-04	OPTICAL DIFFUSER	E4	Q3 ,4			2SD2114K	TRANSISTOR	
294	2C	*	B11-1301-04	OPTICAL DIFFUSER	E4	Q5			DTC114YK	DIGITAL TRANSISTOR	
295	2C	*	B19-2017-03	LIGHTING BOARD		Q5			KRC107S	TRANSISTOR	
D2 -4			B30-1571-05	LED(WHITE)		Q5			UN2214	DIGITAL TRANSISTOR	
D5 ,6			B30-1562-05	LED		Q6 ,7			DTC114YK	DIGITAL TRANSISTOR	
ED1	2C		B38-1034-05	LIQUID CRYSTAL	E2E4	Q6 ,7			KRC107S	TRANSISTOR	
ED1	2C	*	B38-1035-05	LIQUID CRYSTAL	EE1	Q6 ,7			UN2214	DIGITAL TRANSISTOR	
ED1	2C		B38-1036-05	LIQUID CRYSTAL	E3E5	Q8			2SC2412K	TRANSISTOR	
C1			CK73FB1H681K	CHIP C 680PF K		Q8			2SD601A	TRANSISTOR	
C2 -6			CK73FB1C104K	CHIP C 0.10UF K		SUB-CIRCUIT UNIT (X13-9780-1X)					
C7			CK73EB1C225K	CHIP C 2.2UF K		300	2C		B03-3056-12	DRESSING PLATE	E
C8			CK73FB1H681K	CHIP C 680PF K	EE1	300	2C		B03-3057-02	DRESSING PLATE	E1E2E3
C9 -12			CK73FB1C104K	CHIP C 0.10UF K	EE1	300	2C		B03-3057-02	DRESSING PLATE	E4E5
C13 -16			CK73FB1H103K	CHIP C 0.010UF K	E2E3E4	J1			E58-0895-05	RECTANGULAR RECEPACLE	
C13 -16			CK73FB1H103K	CHIP C 0.010UF K	E5	301	2C	*	G16-1146-04	SHEET	
C13 -17			CK73FB1H103K	CHIP C 0.010UF K	EE1	302	2C	*	J21-9540-04	MOUNTING HARDWARE ASSY	
C19			CK73EB1C105K	CHIP C 1.0UF K		FPC2	2C		J84-0106-02	FLEXIBLE PRINTED WIRING BOARD	
296	2C		E29-1596-04	CONDUCTIVE RUBBER		U	2C		N38-2025-46	PAN HEAD MACHIN SCREW	
CN1			E59-0833-05	RECTANGULAR PLUG		SYNTHESIZER UNIT (X14-6182-7X)					
CP1			R90-1016-05	MULTI-COMP 470 X4		C1 ,2		*	C92-0685-05	ELECTROLYTIC CAPACITOR	
R1			RK73FB2A433J	CHIP R 43K J 1/10W		C3			C92-0092-05	CHIP C 47UF 6.3VV	
R2 -5			RK73FB2A222J	CHIP R 2.2K J 1/10W		C4			CK73FB1H103K	CHIP C 0.010UF K	
R6			RK73FB2A102J	CHIP R 1.0K J 1/10W		C5 ,6			C90-2525-05	NP-ELECT 2.2UF 35VV	
R7 ,8			RK73FB2A223J	CHIP R 22K J 1/10W		C7 -10			CK73EB1C225K	CHIP C 2.2UF K	EE1
R9			RK73FB2A101J	CHIP R 100 J 1/10W		C11 -18			CK73FB1C274K	CHIP C 0.27UF K	EE1
R10			RK73FB2A222J	CHIP R 2.2K J 1/10W		C19 -22			CK73FB1C104K	CHIP C 0.10UF K	EE1

E: Europe K: North America M: Other Areas

E : KRC-PS978R

E1 : KRC-878R

E2 : KRC-778R

E3 : KRC-778RV

E4 : KRC-778RY

E5 : KRC-778RYV

indicates safety critical components.

KRC-778R/RV/RV/RV,878R,PS978R

PARTS LIST

* New Parts

Parts without **Parts No.** are not supplied.

Les articles non mentionnés dans le **Parts No.** ne sont pas fournis.

Teile ohne **Parts No.** werden nicht geliefert.

(X14-6182-7X)

Ref.No.	A d d	N e w	Parts No.	Description	Dest inati on	Ref.No.	A d d	N e w	Parts No.	Description	Dest inati on
C25 -30			C92-0671-05	ELECTRO 10UF 16WV	E	C137			CK73FB1C104K	CHIP C 0.10UF K	
C27 -30			C92-0671-05	ELECTRO 10UF 16WV	E1E2E3	C138			CK73FB1C823K	CHIP C 0.082UF K	
C27 -30			C92-0671-05	ELECTRO 10UF 16WV	E4E5	C142			CE04CW1A470M	ELECTRO 47UF 10WV	E1
C31 -34			C90-5297-05	NP-ELECT 0.22UF 50WV		C142			CE04CW1E220M	ELECTRO 22UF 25WV	E
C43 ,44			C90-2597-05	ELECTRO 10UF 16WV	E	C143			C92-0686-05	ELECTRO 1UF 50WV	EE1
C47			C90-2597-05	ELECTRO 10UF 16WV	E	C151			CK73FB1H103K	CHIP C 0.010UF K	
C48			C90-2554-05	ELECTRO 10UF 16WV	E	C152			CE04CW1A101M	ELECTRO 100UF 10WV	
C51 ,52			C90-2597-05	ELECTRO 10UF 16WV	E	C153			CK73FB1H103K	CHIP C 0.010UF K	
C53 -56			CK73FB1H102K	CHIP C 1000PF K	E1E2E3	C155			CK73EB1C105K	CHIP C 1.0UF K	
C53 -56			CK73FB1H102K	CHIP C 1000PF K	E4E5	C156			CK73FB1H183K	CHIP C 0.018UF K	
C53 -58			CK73FB1H102K	CHIP C 1000PF K	E	C157			CK73FB1E273K	CHIP C 0.027UF K	
C59 -61			CK73FB1H103K	CHIP C 0.010UF K	E	C158			CK73FB1H103K	CHIP C 0.010UF K	
C59 ,60			CK73FB1H103K	CHIP C 0.010UF K	E1E2E3	C159			CE04CW1A101M	ELECTRO 100UF 10WV	
C59 ,60			CK73FB1H103K	CHIP C 0.010UF K	E4E5	C160			CK73FB1H103K	CHIP C 0.010UF K	
C81			C90-2822-05	ELECTRO 3900UF 16WV	E	C161			C90-2594-05	ELECTRO 10UF 10WV	
C81			C90-5242-05	ELECTRO 3300UF 16WV	E1E2E3	C162			CK73FB1H471K	CHIP C 470PF K	
C81			C90-5242-05	ELECTRO 3300UF 16WV	E4E5	C164			CK73FB1H103K	CHIP C 0.010UF K	
C82			C90-2926-05	ELECTRO 220UF 16WV		C190			C90-2597-05	ELECTRO 10UF 16WV	
C83			CK73FB1H103K	CHIP C 0.010UF K		C191			CK73FB1H103K	CHIP C 0.010UF K	
C84			C90-2594-05	ELECTRO 10UF 10WV		C201			CK73FB1H822K	CHIP C 8200PF K	
C85			CE04CW0J101M	ELECTRO 100UF 6.3WV		C202			CK73FB1H222K	CHIP C 2200PF K	
C86			CK73EB1C105K	CHIP C 1.0UF K		C203			CK73FB1H102K	CHIP C 1000PF K	
C87			CE04CW1A221M	ELECTRO 220UF 10WV		C204			CK73FB1H223K	CHIP C 0.022UF K	
C88			CK73FB1H102K	CHIP C 1000PF K		C205			CK73FB1H471K	CHIP C 470PF K	
C89			CK73FB1H103K	CHIP C 0.010UF K		C206			CC73FCH1H820J	CHIP C 82PF J	
C90			C90-2598-05	ELECTRO 3.3UF 25WV		C207			CC73FCH1H180J	CHIP C 18PF J	
C91			CK73FB1E683K	CHIP C 0.068UF K		C208,209			CK73FB1H122K	CHIP C 1200PF K	
C92			C90-2602-05	ELECTRO 0.10UF 50WV		C210			CC73FCH1H060D	CHIP C 6.0PF D	
C93			CK73FB1H103K	CHIP C 0.010UF K		C211			CK73FB1H471K	CHIP C 470PF K	
C94			C92-0686-05	ELECTRO 1UF 50WV		C212			CC73FCH1H121J	CHIP C 120PF J	
C95			CK73FB1H103K	CHIP C 0.010UF K		C214			C90-2597-05	ELECTRO 10UF 16WV	
C98 ,99			CK73FB1C224K	CHIP C 0.22UF K		C221			CC73FCH1H100D	CHIP C 10PF D	
C100			CE04CW1C470M	ELECTRO 47UF 16WV		C222			C90-2592-05	ELECTRO 10UF 6.3WV	
C111			C90-2558-05	ELECTRO 1.0UF 50WV		C223			CC73FCH1H100D	CHIP C 10PF D	
C112			C90-2564-05	ELECTRO 100UF 16WV		C224			CC73FCH1H271J	CHIP C 270PF J	
C113			C90-2935-05	ELECTRO 1.0UF 50WV		C225			CK73FB1H103K	CHIP C 0.010UF K	
C114			C90-2608-05	ELECTRO 1.0UF 50WV		C226			C90-2592-05	ELECTRO 10UF 6.3WV	
C115			C90-2595-05	ELECTRO 4.7UF 16WV	E	C251			CK73FB1H103K	CHIP C 0.010UF K	
C116			C90-2962-05	ELECTRO 100UF 16WV	E	C252			CE04CW0J470M	ELECTRO 47UF 6.3WV	
C117-120			CK73EB1C225K	CHIP C 2.2UF K	E	C253			CC73FCH1H240J	CHIP C 24PF J	
C121			CE04CW1C330M	ELECTRO 33UF 16WV	E	C254			CC73FCH1H270J	CHIP C 27PF J	
C122			CK73FB1H223K	CHIP C 0.022UF K	E	C256			CK73EB1C105K	CHIP C 1.0UF K	
C123			C90-2597-05	ELECTRO 10UF 16WV	E	C257			CK73FB1H102K	CHIP C 1000PF K	
C124			CK73FB1H103K	CHIP C 0.010UF K	E	CN1			E40-9557-05	FLAT CABLE CONNECTOR	
C125			C90-2597-05	ELECTRO 10UF 16WV	E	CN2			E40-5029-05	FLAT CABLE CONNECTOR	
C126			CK73EB1C225K	CHIP C 2.2UF K	E	CN3			E40-9666-05	PIN ASSY	
C131			CK73FB1H103K	CHIP C 0.010UF K		CN4			E40-9665-05	PIN ASSY	
C132			CE04CW1A101M	ELECTRO 100UF 10WV	E1E2E3	CN6			E40-3239-05	PIN ASSY	E
C132			CE04CW1A101M	ELECTRO 100UF 10WV	E4E5	CN8			E40-9080-05	PIN ASSY	
C132			CE04CW1A470M	ELECTRO 47UF 10WV	E	CN9			E40-9099-05	SOCKET FOR PIN ASSY	
C133			C92-0686-05	ELECTRO 1UF 50WV	E1E2E3	J1			E58-0836-05	RECTANGULAR RECEPTACLE	
C133			C92-0686-05	ELECTRO 1UF 50WV	E4E5	J2			E63-0853-05	PIN JACK	E1E2E3
C133			C92-0687-05	ELECTRO 2.2UF 50WV	E	J2			E63-0853-05	PIN JACK	E4E5
C135			CK73EB1C474K	CHIP C 0.47UF K		J2			E63-0854-05	PIN JACK	E
C136			CC73FCH1H121J	CHIP C 120PF J							

E: Europe K: North America M: Other Areas

E : KRC-PS978R

E3 : KRC-778RV

E1 : KRC-878R

E4 : KRC-778RY

E2 : KRC-778R

E5 : KRC-778RVV

⚠ indicates safety critical components.

KRC-778R/RV/RV/RV,878R,PS978R

PARTS LIST

* New Parts

Parts without **Parts No.** are not supplied.

Les articles non mentionnes dans le **Parts No.** ne sont pas fournis.

Teile ohne **Parts No.** werden nicht geliefert.

(X14-6182-7X)

Ref.No.	A d d	N e w	Parts No.	Description	Dest inati on	Ref.No.	A d d	N e w	Parts No.	Description	Dest inati on
J3			E56-0826-05	CYLINDRICAL RECEPTACLE		R78			RK73EB2B470J	CHIP R 47 J 1/8W	
WH1			E30-4653-05	CORD WITH PLUG		R79 -83			RK73FB2A104J	CHIP R 100K J 1/10W	
WH1		*	E30-4803-05	CORD WITH PLUG		R87 ,88			R92-3052-05	METAL GLAZE RESISTOR	
L1			L33-1039-05	LINE FILTER COIL		R89			R92-3032-05	CHIP R 4.3K D 1/10W	
L2			L39-1027-05	TRAP COIL		R90			RK73FB2A153J	CHIP R 15K J 1/10W	
L3 -8			L40-4795-34	SMALL FIXED INDUCTOR		R92			RK73EB2B221J	CHIP R 220 J 1/8W	
L9			L92-0075-05	CHIP FERRITE		R93			RK73FB2A223J	CHIP R 22K J 1/10W	
X1			L78-0683-05	RESONATOR		R94			RK73FB2A101J	CHIP R 100 J 1/10W	
X2			L77-2738-05	CRYSTAL RESONATOR		R95			RK73FB2A103J	CHIP R 10K J 1/10W	
X3			L77-2002-05	CRYSTAL RESONATOR		R96			RK73FB2A222J	CHIP R 2.2K J 1/10W	
B	2D		N83-3005-46	PAN HEAD TAPTITE SCREW		R97 ,98			RK73FB2A123J	CHIP R 12K J 1/10W	
H	2D		N35-3012-46	BINDING HEAD MACHINE SCREW		R99			RK73FB2A562J	CHIP R 5.6K J 1/10W	
L	2D		N80-3008-46	PAN HEAD TAPTITE SCREW		R100			RD14DB2H332J	SMALL-RD 3.3K J 1/2W	
P	2D		N09-4318-05	MACHINE SCREW (M3X5)		R101,102			RK73EB2B104J	CHIP R 100K J 1/8W	
CP1			R90-0724-05	MULTI-COMP 1K X4		R103			RK73FB2A183J	CHIP R 18K J 1/10W	
CP3			R90-0722-05	MULTI-COMP 2.2K X4		R104			RK73EB2B472J	CHIP R 4.7K J 1/8W	
CP4 ,5			R90-0719-05	MULTI-COMP 4.7K X2		R107			RK73EB2B472J	CHIP R 4.7K J 1/8W	
CP6			R90-0718-05	MULTI-COMP 4.7K X4		R108			R92-0365-05	CHIP R 1.0K J 1/2W	
CP9			R90-0737-05	MULTI-COMP 100K X2		R109			RK73FB2A223J	CHIP R 22K J 1/10W	
CP10			R90-0718-05	MULTI-COMP 4.7K X4		R110			R92-0365-05	CHIP R 1.0K J 1/2W	
R1 ,2			RK73EB2B100J	CHIP R 10 J 1/8W		R111			RK73EB2B103J	CHIP R 10K J 1/8W	
R3			RK73EB2B4R7J	CHIP R 4.7 J 1/8W		R112			RK73FB2A104J	CHIP R 100K J 1/10W	
R5 -10			RK73FB2A361J	CHIP R 360 J 1/10W	E	R113			RK73EB2B752J	CHIP R 7.5K J 1/8W	
R7 -10			RK73FB2A361J	CHIP R 360 J 1/10W	E1E2E3	R114			RK73FB2A561J	CHIP R 560 J 1/10W	
R11 -14			RK73FB2A472J	CHIP R 4.7K J 1/10W	E4E5	R115			RK73FB2A122J	CHIP R 1.2K J 1/10W	
R21 ,22			RK73FB2A472J	CHIP R 4.7K J 1/10W		R116			RK73FB2A104J	CHIP R 100K J 1/10W	
R23 ,24			RK73FB2A222J	CHIP R 2.2K J 1/10W	E	R117			RK73EB2B102J	CHIP R 1.0K J 1/8W	
R23 ,24			RK73FB2A223J	CHIP R 22K J 1/10W	E1E2E3	R118			R92-0365-05	CHIP R 1.0K J 1/2W	
R23 ,24			RK73FB2A223J	CHIP R 22K J 1/10W		R119			RK73FB2A103J	CHIP R 10K J 1/10W	
R27 ,28			RK73FB2A223J	CHIP R 22K J 1/10W	E4E5	R120			RK73FB2A122J	CHIP R 1.2K J 1/10W	
R29 ,30			RK73FB2A103J	CHIP R 10K J 1/10W	E	R121,122			R92-2104-05	CHIP R 2.2 J 1W	
R31 ,32			RK73FB2A820J	CHIP R 82 J 1/10W	E	R124			RK73FB2A751J	CHIP R 750 J 1/10W	
R33 ,34			RK73FB2A221J	CHIP R 220 J 1/10W	E1E2E3	R131			RK73FB2A333J	CHIP R 33K J 1/10W	
R33 ,34			RK73FB2A221J	CHIP R 220 J 1/10W		R132			RK73FB2A102J	CHIP R 1.0K J 1/10W	
R35 ,36			RK73FB2A472J	CHIP R 4.7K J 1/10W	E4E5	R133			RK73FB2A751J	CHIP R 750 J 1/10W	
R37 ,38			RK73FB2A222J	CHIP R 2.2K J 1/10W	E	R134			RK73FB2A431J	CHIP R 430 J 1/10W	
R37 ,38			RK73FB2A223J	CHIP R 22K J 1/10W	E1E2E3	R135			RK73FB2A101J	CHIP R 100 J 1/10W	
R37 ,38			RK73FB2A223J	CHIP R 22K J 1/10W	E4E5	R136			RK73FB2A273J	CHIP R 27K J 1/10W	
R41 ,42			RK73FB2A223J	CHIP R 22K J 1/10W	E	R141			RK73FB2A102J	CHIP R 1.0K J 1/10W	E
R43 ,44			RK73FB2A103J	CHIP R 10K J 1/10W	E	R142			RK73FB2A750J	CHIP R 75 J 1/10W	E
R45 ,46			RK73FB2A820J	CHIP R 82 J 1/10W	E	R143			RK73FB2A4R7J	CHIP R 4.7 J 1/10W	E
R47 ,48			RK73FB2A221J	CHIP R 220 J 1/10W	E1E2E3	R144			RK73FB2A104J	CHIP R 100K J 1/10W	E
R47 ,48			RK73FB2A221J	CHIP R 220 J 1/10W	E4E5	R145			RK73FB2A272J	CHIP R 2.7K J 1/10W	E
R49 ,50			RK73GB1J472J	CHIP R 4.7K J 1/16W	E	R146			RK73FB2A470J	CHIP R 47 J 1/10W	E
R51 ,52			RK73FB2A222J	CHIP R 2.2K J 1/10W	E	R147			RK73FB2A752J	CHIP R 7.5K J 1/10W	E
R55 ,56			RK73FB2A223J	CHIP R 22K J 1/10W	E	R148			RK73FB2A563J	CHIP R 56K J 1/10W	E
R57 ,58			RK73FB2A103J	CHIP R 10K J 1/10W	E	R149			RK73FB2A913J	CHIP R 91K J 1/10W	E
R59 ,60			RK73FB2A820J	CHIP R 82 J 1/10W	E	R150			RK73FB2A103J	CHIP R 10K J 1/10W	E
R71			RK73EB2B101J	CHIP R 100 J 1/8W		R151			RK73FB2A470J	CHIP R 47 J 1/10W	E
R72			RK73EB2B222J	CHIP R 2.2K J 1/8W		R152,153			RK73FB2A913J	CHIP R 91K J 1/10W	E
R73			RK73EB2B362J	CHIP R 3.6K J 1/8W		R161,162			RK73FB2A472J	CHIP R 4.7K J 1/10W	
R74 -76			RK73EB2B102J	CHIP R 1.0K J 1/8W		R165,166			RK73EB2B102J	CHIP R 1.0K J 1/8W	
R77			RK73EB2B101J	CHIP R 100 J 1/8W		R167,168			RK73FB2A223J	CHIP R 22K J 1/10W	
						R173			RK73FB2A105J	CHIP R 1.0M J 1/10W	
						R174			RK73FB2A272J	CHIP R 2.7K J 1/10W	

E: Europe K: North America M: Other Areas

E : KRC-PS978R

E3 : KRC-778RV

E1 : KRC-878R

E4 : KRC-778RY

E2 : KRC-778R

E5 : KRC-778RYV

⚠ indicates safety critical components.

KRC-778R/RV/RV/RV,878R,PS978R

PARTS LIST

* New Parts

Parts without **Parts No.** are not supplied.

Les articles non mentionnés dans le **Parts No.** ne sont pas fournis.


Teile ohne **Parts No.** werden nicht geliefert.

(X14-6182-7X)

Ref.No.	A d d	N e w	Parts No.	Description	Dest inati on	Ref.No.	A d d	N e w	Parts No.	Description	Dest inati on
R181			RK73FB2A153J	CHIP R 15K J 1/10W		R304			RK73FB2A102J	CHIP R 1.0K J 1/10W	
R191			RK73FB2A104J	CHIP R 100K J 1/10W		R305			RK73GB1J222J	CHIP R 2.2K J 1/16W	
R192			RK73FB2A471J	CHIP R 470 J 1/10W		R307			RK73FB2A472J	CHIP R 4.7K J 1/10W	
R193			RK73FB2A104J	CHIP R 100K J 1/10W		R313			RK73GB1J472J	CHIP R 4.7K J 1/16W	
R194			RK73FB2A471J	CHIP R 470 J 1/10W		R314,315			RK73FB2A433J	CHIP R 43K J 1/10W	
R195-197			RK73FB2A472J	CHIP R 4.7K J 1/10W		R316			RK73FB2A103J	CHIP R 10K J 1/10W	
R198			RK73FB2A473J	CHIP R 47K J 1/10W		R317			RK73FB2A473J	CHIP R 47K J 1/10W	
R201			RK73FB2A103J	CHIP R 10K J 1/10W		R318			RK73GB1J473J	CHIP R 47K J 1/16W	
R202			RK73FB2A222J	CHIP R 2.2K J 1/10W		R321			RK73FB2A471J	CHIP R 470 J 1/10W	
R203			RK73FB2A104J	CHIP R 100K J 1/10W		R322			RK73FB2A104J	CHIP R 100K J 1/10W	
R204			RK73FB2A103J	CHIP R 10K J 1/10W		R324			RK73GB1J472J	CHIP R 4.7K J 1/16W	
R205			RK73FB2A562J	CHIP R 5.6K J 1/10W		R327,328			RK73FB2A102J	CHIP R 1.0K J 1/10W	
R206			RK73FB2A103J	CHIP R 10K J 1/10W		R329			RK73GB1J472J	CHIP R 4.7K J 1/16W	E
R207			RK73FB2A562J	CHIP R 5.6K J 1/10W		R330			RK73GB1J103J	CHIP R 10K J 1/16W	
R208			RK73FB2A153J	CHIP R 15K J 1/10W		R331,332			RK73GB1J472J	CHIP R 4.7K J 1/16W	
R209			RK73FB2A333J	CHIP R 33K J 1/10W		R334			RK73GB1J223J	CHIP R 22K J 1/16W	
R210			RK73FB2A272J	CHIP R 2.7K J 1/10W		R335-337			RK73EB2B102J	CHIP R 1.0K J 1/8W	
R211			RK73FB2A823J	CHIP R 82K J 1/10W		R338			RK73EB2B471J	CHIP R 470 J 1/8W	
R212			RK73FB2A220J	CHIP R 22 J 1/10W		R339-342			RK73EB2B102J	CHIP R 1.0K J 1/8W	
R213-216			RK73FB2A103J	CHIP R 10K J 1/10W		VR1			R32-0229-05	SEMI FIXED VARIABLE RESISTOR	
R221			RK73FB2A100J	CHIP R 10 J 1/10W		W1 -4			R92-2052-05	CHIP R 0 J 1/10W	E2E3E4
R251			RK73FB2A473J	CHIP R 47K J 1/10W	EE2E4	W1 -4			R92-2052-05	CHIP R 0 J 1/10W	E5
R252			RK73FB2A473J	CHIP R 47K J 1/10W	E3E5	W5 ,6			R92-2052-05	CHIP R 0 J 1/10W	E1
R252,253			RK73FB2A473J	CHIP R 47K J 1/10W	E1	W7 ,8			R92-2052-05	CHIP R 0 J 1/10W	EE2E3
R253			RK73FB2A473J	CHIP R 47K J 1/10W	E2E4	W7 ,8			R92-2052-05	CHIP R 0 J 1/10W	E4E5
R254			RK73FB2A473J	CHIP R 47K J 1/10W	E	W11			R92-2053-05	CHIP R 0 J 1/8W	
R254,255			RK73FB2A473J	CHIP R 47K J 1/10W	E3E5	W33			R92-2052-05	CHIP R 0 J 1/10W	
R256			RK73FB2A473J	CHIP R 47K J 1/10W	EE1E2	PH1			T95-0231-05	OPTO ISOLATOR	
R257,258			RK73GB1J473J	CHIP R 47K J 1/16W	E4	D1			RD6.8MW	ZENER DIODE	
R260,261			RK73FB2A102J	CHIP R 1.0K J 1/10W		D3			MA3062-M	ZENER DIODE	
R264			RK73FB2A222J	CHIP R 2.2K J 1/10W		D5			DAP202K	DIODE	
R265			RK73FB2A225J	CHIP R 2.2M J 1/10W		D5			MA152WA	DIODE	
R266-268			RK73FB2A102J	CHIP R 1.0K J 1/10W		D6			DAP202U	DIODE	E1E2E3
R269,270			RK73FB2A562J	CHIP R 5.6K J 1/10W		D6			DAP202U	DIODE	E4E5
R271			RK73GB1J104J	CHIP R 100K J 1/16W		D6			MA142WA	DIODE	E1E2E3
R273			RK73GB1J222J	CHIP R 2.2K J 1/16W		D6			MA142WA	DIODE	E4E5
R274			RK73GB1J102J	CHIP R 1.0K J 1/16W		D6 ,7			DAP202U	DIODE	E
R275			RK73FB2A472J	CHIP R 4.7K J 1/10W		D6 ,7			MA142WA	DIODE	E
R278			RK73FB2A102J	CHIP R 1.0K J 1/10W		D21			MA3062WA	ZENER DIODE	
R279			RK73FB2A222J	CHIP R 2.2K J 1/10W		D22			MA3062-M	ZENER DIODE	
R281,282			RK73GB1J102J	CHIP R 1.0K J 1/16W		D31			RM10ZLF	DIODE	
R286			RK73FB2A473J	CHIP R 47K J 1/10W		D32			1SR139-400	DIODE	
R287			RK73FB2A102J	CHIP R 1.0K J 1/10W		D33			MA4056(N)-M	ZENER DIODE	
R288			RK73FB2A223J	CHIP R 22K J 1/10W		D36			MA4056(N)-M	ZENER DIODE	
R289			RK73FB2A104J	CHIP R 100K J 1/10W		D37			MA4062(N)-M	ZENER DIODE	
R291			RK73FB2A124J	CHIP R 120K J 1/10W		D38			M1F60	DIODE	
R292			RK73GB1J472J	CHIP R 4.7K J 1/16W		D39 ,40			1SR139-400	DIODE	
R293			RK73FB2A472J	CHIP R 4.7K J 1/10W		D41			DAN202K	DIODE	
R294			RK73FB2A273J	CHIP R 27K J 1/10W		D41			MA152WK	DIODE	
R295,296			RK73FB2A102J	CHIP R 1.0K J 1/10W		D42			MA3220-H	ZENER DIODE	
R297			RK73FB2A472J	CHIP R 4.7K J 1/10W		D43			MA3056-M	ZENER DIODE	
R301			RK73FB2A470J	CHIP R 47 J 1/10W		D44			1SR139-400	DIODE	
R302			RK73FB2A105J	CHIP R 1.0M J 1/10W		D45			MA3075-M	ZENER DIODE	
R303			RK73FB2A184J	CHIP R 180K J 1/10W							

E: Europe K: North America M: Other Areas

E : KRC-PS978R E3 : KRC-778RV
 E1 : KRC-878R E4 : KRC-778RY
 E2 : KRC-778R E5 : KRC-778RVV

 indicates safety critical components.

KRC-778R/RV/RV/RV,878R,PS978R

PARTS LIST

* New Parts

Parts without **Parts No.** are not supplied.

Les articles non mentionnés dans le **Parts No.** ne sont pas fournis.

Teile ohne **Parts No.** werden nicht geliefert.

(X14-6182-7X)

Ref.No.	A d d	N e w	Parts No.	Description	Dest inati on	Ref.No.	A d d	N e w	Parts No.	Description	Dest inati on
D46			MA3036-H	ZENER DIODE		Q23			2SA1037K	TRANSISTOR	
D50 ,51			DAP202U	DIODE		Q24 ,25			2SC2412K	TRANSISTOR	
D50 ,51			MA142WA	DIODE		Q24 ,25			2SD601A	TRANSISTOR	
D52			DAN202K	DIODE		Q28			2SB1277(Q,R)	TRANSISTOR	
D52			MA152WK	DIODE		Q29			2SA1037K	TRANSISTOR	
D53			HZM11N(B1)	ZENER DIODE		Q30			DTA124EK	DIGITAL TRANSISTOR	
D53			MA3110-L	ZENER DIODE		Q30			KRA103S	TRANSISTOR	
D55			HZM11N(B1)	ZENER DIODE	E	Q30			UN2112	DIGITAL TRANSISTOR	
D55			MA3110-L	ZENER DIODE	E	Q31			DTC114EK	DIGITAL TRANSISTOR	
D56			MA3056-M	ZENER DIODE	E	Q31			UN2211	DIGITAL TRANSISTOR	
D61			IMSA-6801	SURGE ABSORBER		Q32			DTC144EK	DIGITAL TRANSISTOR	
D71			DAN202K	DIODE		Q32			KRC104S	TRANSISTOR	
D71			MA152WK	DIODE		Q32			UN2213	DIGITAL TRANSISTOR	
D72			MA3062-M	ZENER DIODE		Q33			2SD1760	TRANSISTOR	
D73 ,74			DA204K	DIODE		Q35			DTC144EK	DIGITAL TRANSISTOR	
D73 ,74			KDS226	DIODE		Q35			KRC104S	TRANSISTOR	
D75			MA3062WA	ZENER DIODE		Q35			UN2213	DIGITAL TRANSISTOR	
D76 -79			DA204K	DIODE		Q36			DTA124EK	DIGITAL TRANSISTOR	
D76 -79			KDS226	DIODE		Q36			KRA103S	TRANSISTOR	
D81			HZM4.7N(B2)	ZENER DIODE		Q36			UN2112	DIGITAL TRANSISTOR	
D81			MA3047-M	ZENER DIODE		Q37			2SC2412K	TRANSISTOR	
D82			DAN202K	DIODE		Q37			2SD601A	TRANSISTOR	
D82			MA152WK	DIODE		Q38			2SB1443	TRANSISTOR	
IC1			UPD784217GC103	MI-COM IC	E2E3E4	Q39			DTA123JK	DIGITAL TRANSISTOR	
IC1			UPD784217GC103	MI-COM IC	E5	Q40			DTC124EUA	DIGITAL TRANSISTOR	
IC1		*	UPD784218GC105	MI-COM IC	EE1	Q40			UN5212	DIGITAL TRANSISTOR	
IC2			TDA7400	ANALOGUE IC		Q41			DTC114YUA	DIGITAL TRANSISTOR	
IC3			M5237ML	IC(VOLTAGE REGULATOR)		Q41			UN5214	DIGITAL TRANSISTOR	
IC4			TDA7386	ANALOGUE IC		Q42			2SB1443	TRANSISTOR	
IC5			TDA7401	ANALOGUE IC	EE1	Q43			DTC114YK	DIGITAL TRANSISTOR	
IC6			TC7662BEOA	ANALOGUE IC	E	Q43			KRC107S	TRANSISTOR	
IC7 -9			NJM4565M-TE2	ANALOGUE IC	E	Q43			UN2214	DIGITAL TRANSISTOR	
IC10			TC74HC02AF	IC		Q44			DTA124EUA	DIGITAL TRANSISTOR	
IC11			TDA7479D	ANALOGUE IC		Q44			UN5112	DIGITAL TRANSISTOR	
IC12			NJM4565M-TE2	ANALOGUE IC		Q45			2SA1037K	TRANSISTOR	
IC13			BA6238A	ANALOGUE IC		Q51			DTC114YK	DIGITAL TRANSISTOR	
IC14			BR24C01AF	MEMORY IC		Q51			KRC107S	TRANSISTOR	
IC14			M24C01-WMN6T	MEMORY IC		Q51			UN2214	DIGITAL TRANSISTOR	
IC15			S-80830ANNP	MOS-IC		Q55			2SC2412K	TRANSISTOR	
Q1 -4			2SC2412K	TRANSISTOR	E1E2E3	Q55			2SD601A	TRANSISTOR	E
Q1 -4			2SC2412K	TRANSISTOR	E4E5	Q56			2SB1443	TRANSISTOR	E
Q1 -4			2SD601A	TRANSISTOR	E1E2E3	Q57			2SC2412K	TRANSISTOR	E
Q1 -4			2SD601A	TRANSISTOR	E4E5	Q57			2SD601A	TRANSISTOR	E
Q1 -6			2SC2412K	TRANSISTOR	E	Q58 ,59			2SA1037K	TRANSISTOR	E
Q1 -6			2SD601A	TRANSISTOR	E	Q60 ,61			2SC2412K	TRANSISTOR	E
Q18			DTC144EK	DIGITAL TRANSISTOR		Q60 ,61			2SD601A	TRANSISTOR	E
Q18			KRC104S	TRANSISTOR		Q62			2SA1037K	TRANSISTOR	E
Q18			UN2213	DIGITAL TRANSISTOR		Q71			DTA124EK	DIGITAL TRANSISTOR	
Q19			DTA124EK	DIGITAL TRANSISTOR		Q71			KRA103S	TRANSISTOR	
Q19			KRA103S	TRANSISTOR		Q71			UN2112	DIGITAL TRANSISTOR	
Q19			UN2112	DIGITAL TRANSISTOR		Q72			DTC124EK	DIGITAL TRANSISTOR	
Q20			2SB1565F(E,F)	TRANSISTOR		Q72			KRC103S	TRANSISTOR	
Q21			2SC2412K	TRANSISTOR		Q72			UN2212	DIGITAL TRANSISTOR	
Q21			2SD601A	TRANSISTOR		Q82			DTC124EK	DIGITAL TRANSISTOR	
Q22			2SB1565F(E,F)	TRANSISTOR		Q82			KRC103S	TRANSISTOR	

E: Europe K: North America M: Other Areas

E : KRC-PS978R


E1 : KRC-878R

E2 : KRC-778R

E3 : KRC-778RV

E4 : KRC-778RY

E5 : KRC-778RYV

 indicates safety critical components.

KRC-778R/RV/RV/RVY,878R,PS978R

PARTS LIST

* New Parts

Parts without **Parts No.** are not supplied.

Les articles non mentionnes dans le **Parts No.** ne sont pas fournis.

Teile ohne **Parts No.** werden nicht geliefert.

Ref.No.	A d d	N e w	Parts No.	Description	Dest inati on
Q82			UN2212	DIGITAL TRANSISTOR	
Q86 ,87			DTC124EK	DIGITAL TRANSISTOR	
Q86 ,87			KRC103S	TRANSISTOR	
Q86 ,87			UN2212	DIGITAL TRANSISTOR	
Q88 ,89			2SB1188(Q,R)	TRANSISTOR	
Q91			2SC4081	TRANSISTOR	
Q91			2SD1819A	TRANSISTOR	
Q92			DTA124EUA	DIGITAL TRANSISTOR	
Q92			UN5112	DIGITAL TRANSISTOR	
Q93			DTC114TK	DIGITAL TRANSISTOR	
Q93			UN2215	DIGITAL TRANSISTOR	
TH1			PTH9C42BD471Q	POSITIVE RESISTOR	
A1			X86-3222-70	TUNER UNIT	
DOLBY NOISE REDUCTION UNIT (X87-301X-XX)					
C1 -4			CK73FB1H471K	CHIP C 470PF K	
C5			CE04NW1A330M	ELECTRO 33UF 10WV	
C6			CE04NW1A470M	ELECTRO 47UF 10WV	
C7 ,8			CK73FB1H103K	CHIP C 0.010UF K	
C11 -14			CK73FB1C104K	CHIP C 0.10UF K	
C15 ,16			CE04NW1A330M	ELECTRO 33UF 10WV	
C17			CK73EB1C474K	CHIP C 0.47UF K	
C20			CK73GB1H562K	CHIP C 5600PF K	
C21 ,22			CK73FB1E683K	CHIP C 0.068UF K	E
C23			CK73FB1C224K	CHIP C 0.22UF K	
C24			CK73GB1C393K	CHIP C 0.039UF K	E1E2E3
C24			CK73GB1C393K	CHIP C 0.039UF K	E4E5
C24			CK73GB1C473K	CHIP C 0.047UF K	E
C25 ,26			CC73GCH1H560J	CHIP C 56PF J	E
CN1			E40-9702-05	FLAT CABLE CONNECTOR	
CN2			E40-9218-05	PIN ASSY	
CN3			E40-9701-05	FLAT CABLE CONNECTOR	
CN4			E40-9703-05	SOCKET FOR PIN ASSY	
W1 -9			E31-0001-00	JUMPER WIRE	
R1 -4			RK73FB2A243J	CHIP R 24K J 1/10W	
R5 ,6			RK73FB2A181J	CHIP R 180 J 1/10W	
R7			RK73GB1J203J	CHIP R 20K J 1/16W	
R8			RK73GB1J564J	CHIP R 560K J 1/16W	E1E2E3
R8			RK73GB1J564J	CHIP R 560K J 1/16W	E4E5
R8			RK73GB1J684J	CHIP R 680K J 1/16W	E
R9			RK73GB1J302J	CHIP R 3.0K J 1/16W	E
R9			RK73GB1J362J	CHIP R 3.6K J 1/16W	E1E2E3
R9			RK73GB1J362J	CHIP R 3.6K J 1/16W	E4E5
R10			RK73GB1J303J	CHIP R 30K J 1/16W	E
R10			RK73GB1J333J	CHIP R 33K J 1/16W	E1E2E3
R10			RK73GB1J333J	CHIP R 33K J 1/16W	E4E5
R11 ,12			RK73FB2A102J	CHIP R 1.0K J 1/10W	E1E2E3
R11 ,12			RK73FB2A102J	CHIP R 1.0K J 1/10W	E4E5
R11 ,12			RK73FB2A242J	CHIP R 2.4K J 1/10W	E
R13			RK73EB2B4R7J	CHIP R 4.7 J 1/8W	
R18			RK73EB2B121J	CHIP R 120 J 1/8W	
VR1 ,2			R12-3100-05	TRIMMING POT.(10K)	
W11 ,12			R92-2052-05	CHIP R 0 J 1/10W	
W14			R92-2052-05	CHIP R 0 J 1/10W	

Ref.No.	A d d	N e w	Parts No.	Description	Dest inati on
S1			S40-1140-05	PUSH SWITCH	
IC1			CXA2560Q	ANALOGUE IC	E1E2E3
IC1			CXA2560Q	ANALOGUE IC	E4E5
IC1			CXA2561Q	ANALOGUE IC	E
Q1			DTC124EK	DIGITAL TRANSISTOR	
Q1			KRC103S	TRANSISTOR	
Q1			UN2212	DIGITAL TRANSISTOR	
MECHANISM ASSY (X92-379X-XX)					
ME1	3C	*	D40-1138-15	CASSETTE MECHANISM ASSY	
V	3C	*	N09-4368-05	MACHINE SCREW	
W	3D	*	N09-4377-05	TAPTITE SCREW (2X5)	
CASSETTE MECHANISM ASSY (D40-1138-15)					
1	2B		A10-4630-08	CHASSIS ASSY	
4	3B		D10-4375-08	SLIDER(MAIN PLATE)	
5	3A		D13-1494-08	GEAR(B)	
6	3A		D13-1495-08	GEAR(C)	
7	3A		D13-1496-08	GEAR(D)	
9	2B		D10-4376-08	ARM(P-G PLATE)	
10	2B		J90-0948-08	GUID	
11	2B		D15-0919-08	PULLEY(MID)	
12	2B		D13-1497-08	GEAR(P)	
15	2B		J21-9458-08	MOUNTING HARDWARE(HEAD P-AS)	
17	2B		G02-1332-08	FLAT SPRING(HEAD SP-P)	
20	2A		D13-1498-08	RACK GEAR(OP PLATE A)	
21	1A		D10-4377-08	LEVER(EJ-LEV-A)	
22	3B		D10-4378-08	LEVER(SB.PL-AS)	
23	2A		D10-4379-08	LEVER(OP-PL-HO)	
24	1A		D10-4380-08	LEVER(EJE-LEV-A)	
25	1A		G01-2960-08	TENSION COIL SPRING(E LEV-SP)	
26	3A		D13-1499-08	GEAR(FR)	
27	3A		D10-4381-08	ARM(FR-PLATE)	
30	2B		D10-4382-08	ARM ASSY(PINCH ROLLER F)	
31	2B		D10-4383-08	ARM ASSY(PINCH ROLLER R)	
33	1B		G01-2961-08	TORSION SPRING(SA)	
34	2B		D10-4384-08	ARM(SW)	
44	1A		E39-0305-08	WIRE HARNESS(M CONNECTOR ASSY)	
45	2A		J11-0632-08	CLAMPER	
48	3B		D01-0613-08	FLYWHEEL ASSY	
49	3B		D16-0616-08	BELT	
52	1B		D10-4385-08	ARM(CASSETTE LIFTER B)	
53	1B		J19-4953-08	CASSETTE HOLDER	
54	1A		G11-1861-08	CUSHION	
56	1B		D10-4386-08	ARM ASSY	
57	1B		G01-2962-08	TENSION COIL SPRING	
58	1B		D10-4387-08	SLIDER	
65	2A		B09-0522-08	REEL CAP	
66	2A		G01-2963-08	COMPRESSION SPRING	
67	2A		D03-0314-08	REEL GEAR ASSY	
75	3A		J69-0510-08	ADHESIVE TAPE(FFC)	
90	3A		J26-4036-08	PC BORD ASSY	
92	3A		E39-0306-08	FLAT CABLE(FFCM4)	
94	3A		T95-0245-08	PHOTO COUPLER	

E: Europe K: North America M: Other Areas

E: KRC-PS978R

E1: KRC-878R

E2: KRC-778R

E3: KRC-778RV

E4: KRC-778RY

E5: KRC-778RYV

⚠ indicates safety critical components.

KRC-778R/RV/RV/RV,878R,PS978R

PARTS LIST

* New Parts

Parts without **Parts No.** are not supplied.

Les articles non mentionnés dans le **Parts No.** ne sont pas fournis.

Teile ohne **Parts No.** werden nicht geliefert.

Ref.No.	A d d	N e w	Parts No.	Description	Dest inati on	Ref.No.	A d d	N e w	Parts No.	Description	Dest inati on
A	3A		N09-4324-08	SCREW(2X2.5)							
B	2A		N19-2136-08	FLAT WASHER(1.55X35)							
C	2A		N09-4325-08	SCREW(2X13ADS)							
CM1	1A		T42-1002-08	MOTOR ASSY(MAIN)							
CM2	1A		T42-1001-08	MOTOR ASSY(SUB A)							
D	2A		N09-4326-08	SCREW(2X3)							
E	2A		N09-4058-08	SEMS(2X3AMS)							
F	2B		N19-2038-08	FLAT WASHER(0.85X2.8)							
G	2B		N19-2136-08	FLAT WASHER(1.55X3)							
H	2B		N19-2137-08	FLAT WASHER(2.1X3.5)							
HD1	2B		T31-0226-08	PLAYBACK HEAD							
J	3B		N19-2138-08	FLAT WASHER(2.1X3.5)							
K	3B		N09-4327-08	SCREW							
N	1B		N19-2139-08	FLAT WASHER(2.1X4.0)							

E: Europe K: North America M: Other Areas

E : KRC-PS978R


E1 : KRC-878R

E2 : KRC-778R

E3 : KRC-778RV

E4 : KRC-778RY

E5 : KRC-778RYV

 indicates safety critical components.

KRC-778R/RV/RV/RV,878R,PS978R

SPECIFICATIONS

		KRC-PS978R	KRC-878R	KRC-778R/RV	KRC-778RV/RV
FM	Frequency Range (MHz) (Frequency step)	87.5MHz~108.0MHz (50kHz)	87.5MHz~108.0MHz (50kHz)	87.5MHz~108.0MHz (50kHz)	87.5MHz~108.0MHz (50kHz)
	Usable Sensitivity (S/N 26dB)	0.7μV/75Ω	0.7μV/75Ω	0.7μV/75Ω	0.7μV/75Ω
	Quieting Sensitivity (S/N 46dB)	1.6μV/75Ω	1.6μV/75Ω	1.6μV/75Ω	1.6μV/75Ω
	Frequency Response (±3.0dB)	30Hz~15kHz	30Hz~15kHz	30Hz~15kHz	30Hz~15kHz
	S/N(dB)	65dB(MONO)	65dB(MONO)	65dB(MONO)	65dB(MONO)
	Selectivity(DIN)(dB)	≥80dB(±400kHz)	≥80dB(±400kHz)	≥80dB(±400kHz)	≥80dB(±400kHz)
	Stereo Separation	35dB(1kHz)	35dB(1kHz)	35dB(1kHz)	35dB(1kHz)
MW (AM)	Frequency Range (kHz) (Frequency step)	531kHz~1611kHz (9kHz)	531kHz~1611kHz (9kHz)	531kHz~1611kHz (9kHz)	531kHz~1611kHz (9kHz)
	Usable Sensitivity (S/N 20dB)	25μV	25μV	25μV	25μV
LW	Frequency Range (kHz)	153kHz~281kHz	153kHz~281kHz	153kHz~281kHz	153kHz~281kHz
	Usable Sensitivity (S/N 20dB)	45μV	45μV	45μV	45μV
CASSETTE	Tape Speed	4.76cm/sec.	4.76cm/sec.	4.76cm/sec.	4.76cm/sec.
	Wow/Flutter(wrms) (%)	0.08%(WRMS)	0.08%(WRMS)	0.08%(WRMS)	0.08%(WRMS)
	FREQ. Response (Hz) (±3.0dB)	30~18kHz(70μs)	30~18kHz(70μs)	30~18kHz(70μs)	30~18kHz(70μs)
	Separation(dB)	43dB(1kHz)	43dB(1kHz)	43dB(1kHz)	43dB(1kHz)
	S/N(dB) Dolby NR OFF	57dB	57dB	57dB	57dB
	Dolby BNR on Dolby CNR on	65dB 73dB	65dB 73dB	65dB 73dB	65dB 73dB
Preout Level(mV)/Load -Unbalanced	4500mV/10kΩ(CD/CD-CH)	1800mV/10kΩ(CD/CD-CH)	1800mV/10kΩ(CD/CD-CH)	1800mV/10kΩ(CD/CD-CH)	
Preout Impedance(Ω)	80Ω	≤600Ω	≤600Ω	≤600Ω	
AMPLIFIER	PWR(MAX)	45Wx4	45Wx4	45Wx4	45Wx4
	PWR DIN45324,+B=14.4V	28Wx4	28Wx4	28Wx4	28Wx4
TONE	Bass	100Hz±10dB	100Hz±10dB	100Hz±10dB	100Hz±10dB
	Treble	10kHz±10dB	10kHz±10dB	10kHz±10dB	10kHz±10dB
GENERAL	Operating voltage (11~16V allowable)	14.4V	14.4V	14.4V	14.4V
	Current Consumption	10A	10A	10A	10A
	Installation Size (W) (H) (D)	182(mm)	182(mm)	182(mm)	182(mm)
		53(mm)	53(mm)	53(mm)	53(mm)
161(mm)		161(mm)	161(mm)	161(mm)	
Weight	1.7kg	1.7kg	1.7kg	1.7kg	

KENWOOD follows a policy of continuous advancements in development. For this reason specifications may be changed without notice.

KENWOOD CORPORATION

14-6, Dogenzaka 1-chome, Shibuya-ku, Tokyo, 150-8501 Japan

KENWOOD SERVICE CORPORATION

P.O. Box 22745, 2201 East Dominguez Street,
Long Beach, CA90801-5745, U.S.A.

KENWOOD ELECTRONICS CANADA INC.

6070 Kestrel Road, Mississauga, Ontario, Canada L5T 1S8

KENWOOD ELECTRONICS LATIN AMERICA S.A.

P.O. Box 55-2791, Piso 6, Plaza Chase, Cl. 47 y,
Aquilino de la Guardia, Panama, Republic of Panama

KENWOOD ELECTRONICS BRASIL LTDA.

Av. Moema, 170-17, Andar-Cobertura "B",
Ed. Maximum Service Center, 04077-020 Moema,
São Paulo-SP-Brasil

KENWOOD ELECTRONICS UK LIMITED

Kenwood House, Dwight Road, Watford,
Herts, WD1 8EB, United Kingdom

KENWOOD ELECTRONICS DEUTSCHLAND GMBH

Rembrücker Str. 15, 63150 Heusenstamm, Germany

KENWOOD ELECTRONICS FRANCE S.A.

13, Boulevard Ney, 75018 Paris, France

KENWOOD ELECTRONICS BELGIUM N.V.

Mechelsesteenweg 418, B-1930 Zaventem, Belgium

KENWOOD ELECTRONICS ITALIA S.p.A.

Via G. Sirtori 7/9, 20129 Milano, Italy

KENWOOD IBÉRICA S.A.

Bolivia, 239-08020 Barcelona, Spain

KENWOOD ELECTRONICS AUSTRALIA PTY. LTD.

(A.C.N. 001 499 074)
16 Giffnock Avenue, North Ryde, N.S.W. 2113, Austraria

KENWOOD ELECTRONICS (HONG KONG) LTD.

Unit 3712-3724, Level 37, Tower 1, Metroplaza,
223 Hing Fong Road, Kwai Fong, N.T., Hong Kong

KENWOOD ELECTRONICS GULF FZE

P.O.Box 61318, Jebel Ali, Dubai, U.A.E.

KENWOOD ELECTRONICS (THAILAND) CO., LTD.

2019 New Pechburi Road, Bangkapi, Huaykwang,
Bangkok, 10320 Thailand

KENWOOD ELECTRONICS SINGAPORE PTE LTD.

1 Genting Lane, #07-00, Kenwood Building, Singapore 349544

KENWOOD ELECTRONICS (MALAYSIA) SDN BHD

#4.01 Level 4, Wisma Academy Lot 4A, Jalan 19/1,
46300 Petaling Jaya, Selangor Darul Ehsan, Malaysia